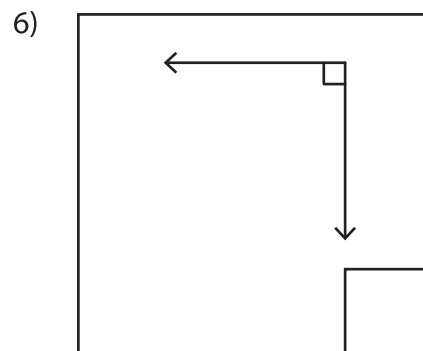
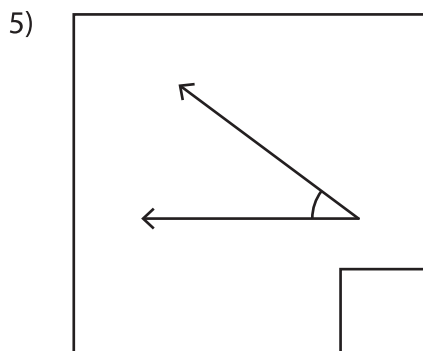
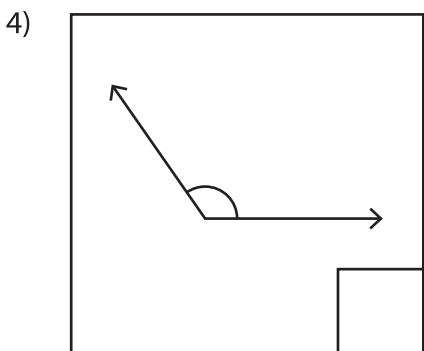
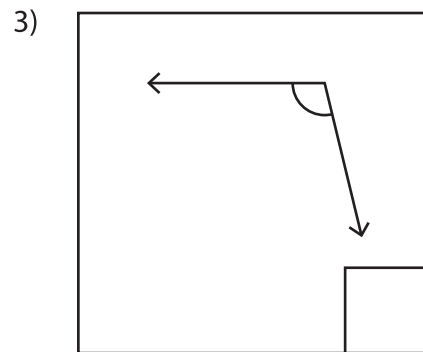
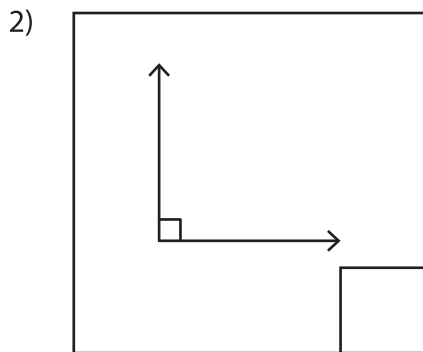
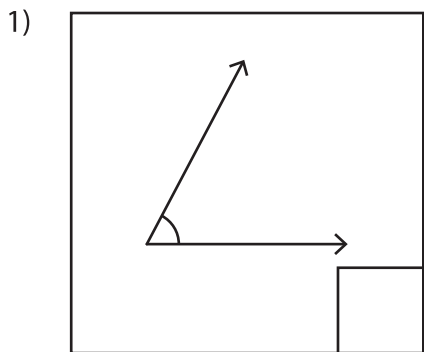


Name : _____

Classifying Angles - Acute, Right, or Obtuse

A) Write "A" if the angle is acute, "O" if it's obtuse, and "R" if it's right.



B) Find the angles within each shape, and label each angle as "a" for acute, "o" for obtuse, and "r" for right.

