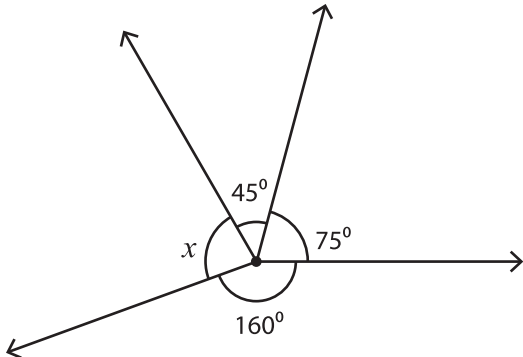


Angles Around a Point

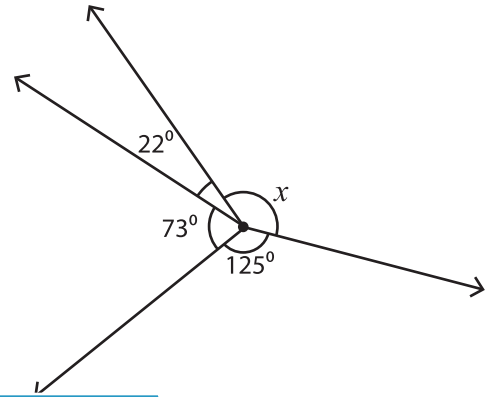
Find the measure of each unknown angle.

1)



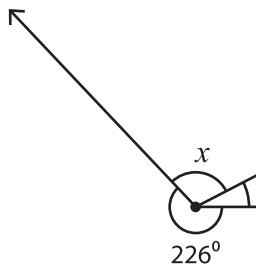
$x =$ _____

2)



$=$ _____

3)



$x =$ _____

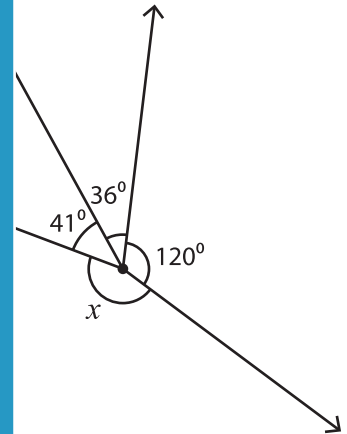
PREVIEW

Gain complete access to the largest collection of worksheets in all subjects!

Members, please log in to download this worksheet.

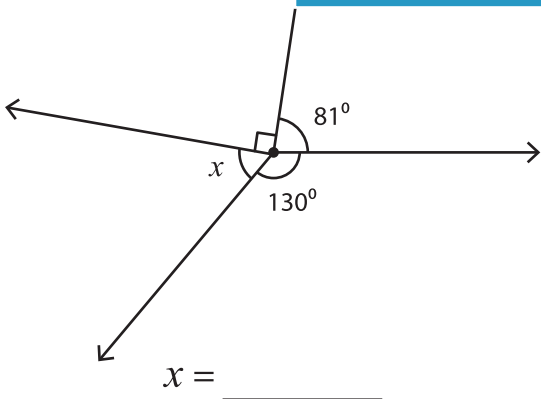
Not a member? Please sign up to gain complete access.

www.mathworksheets4kids.com

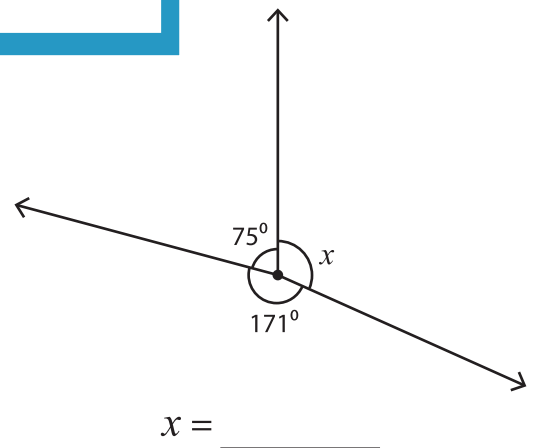


$=$ _____

5)



$x =$ _____



$x =$ _____