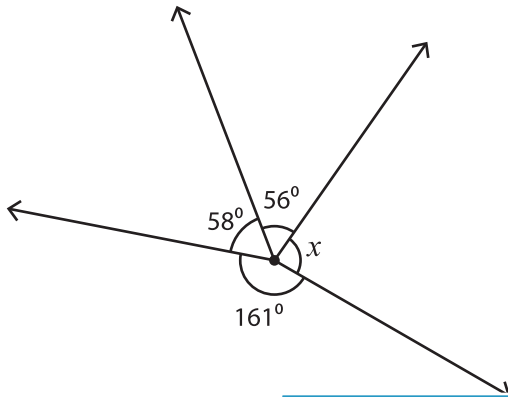


# Angles Around a Point

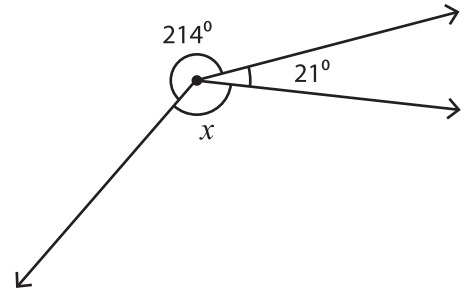
Find the measure of each unknown angle.

1)



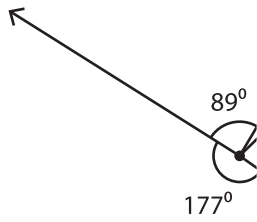
$x =$  \_\_\_\_\_

2)



$=$  \_\_\_\_\_

3)



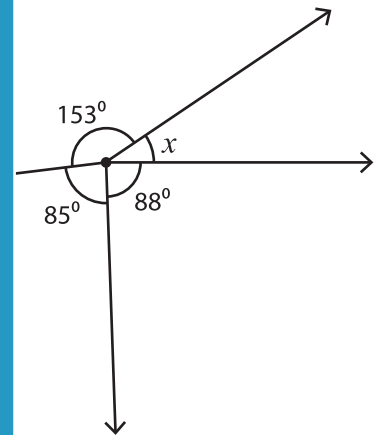
$x =$  \_\_\_\_\_

Gain complete access to the largest collection of worksheets in all subjects!

Members, please log in to download this worksheet.

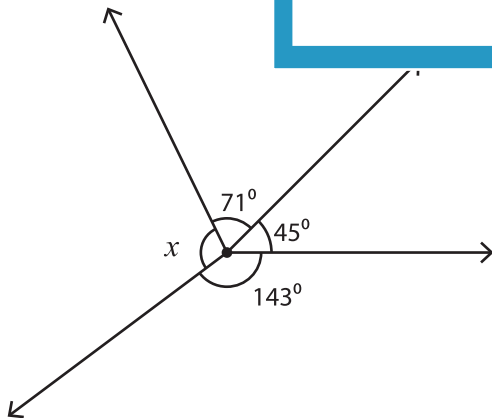
Not a member? Please sign up to gain complete access.

[www.mathworksheets4kids.com](http://www.mathworksheets4kids.com)

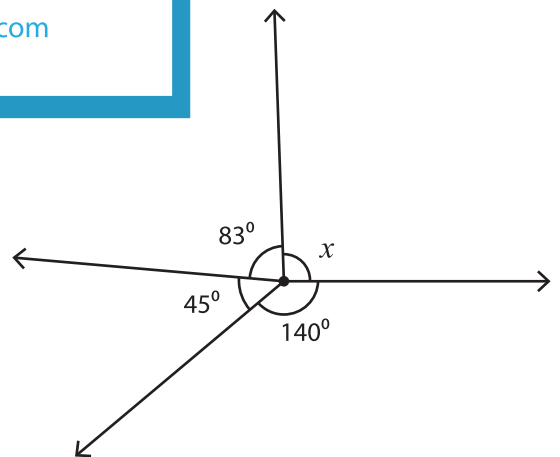


$=$  \_\_\_\_\_

5)



$x =$  \_\_\_\_\_



$x =$  \_\_\_\_\_