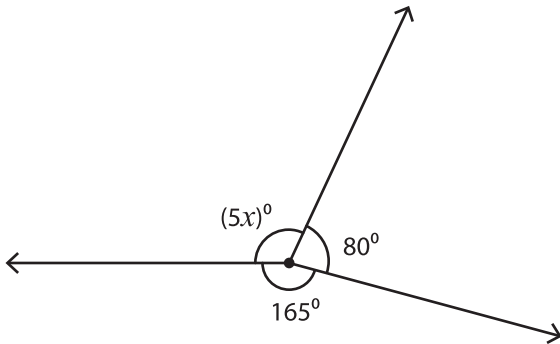


# Angles Around a Point

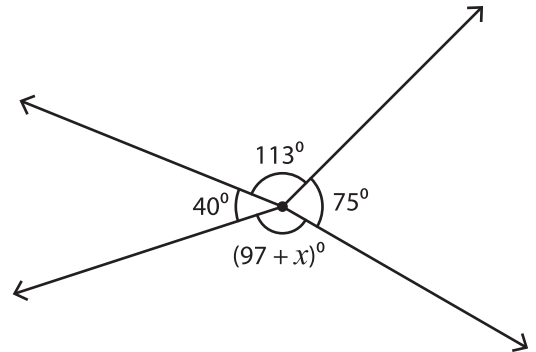
Find the value of  $x$ .

1)



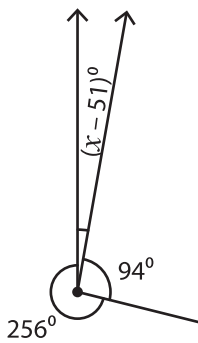
$x =$  \_\_\_\_\_

2)



$=$  \_\_\_\_\_

3)



$x =$  \_\_\_\_\_

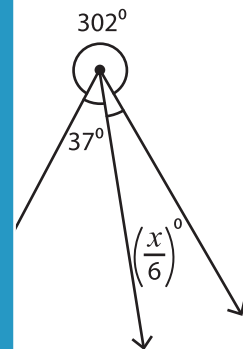
## PREVIEW

Gain complete access to the largest collection of worksheets in all subjects!

Members, please log in to download this worksheet.

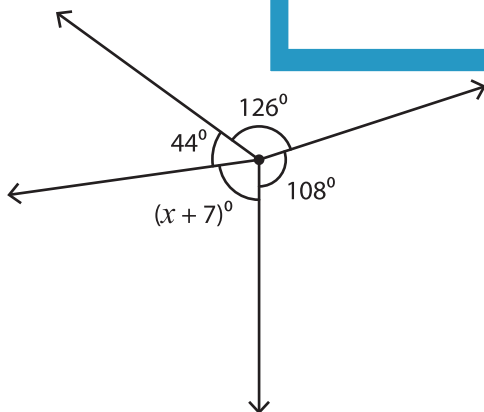
Not a member? Please sign up to gain complete access.

www.mathworksheets4kids.com

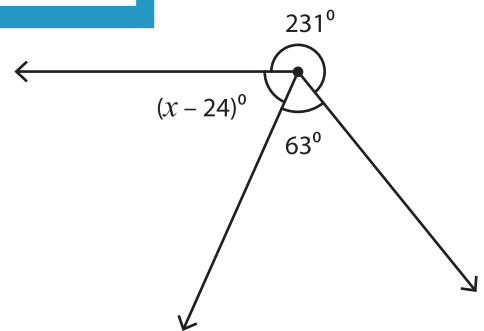


$=$  \_\_\_\_\_

5)



$x =$  \_\_\_\_\_



$x =$  \_\_\_\_\_