

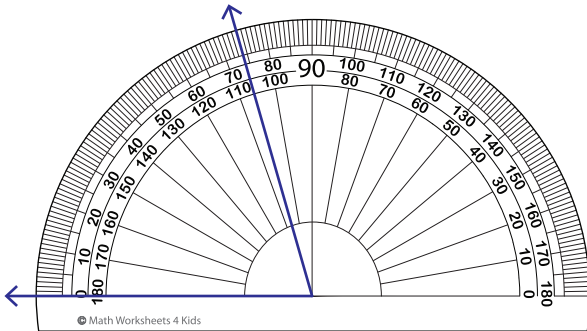
Name : \_\_\_\_\_

# Reading a Protractor

Inner & outer scales: S1

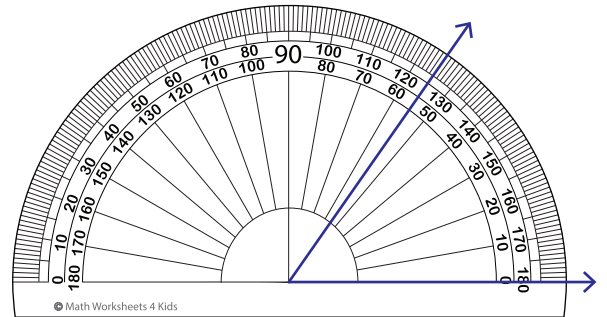
Read the protractor and measure each angle.

1)



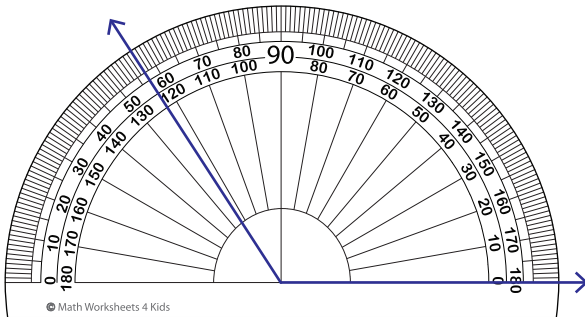
Angle: \_\_\_\_\_

2)



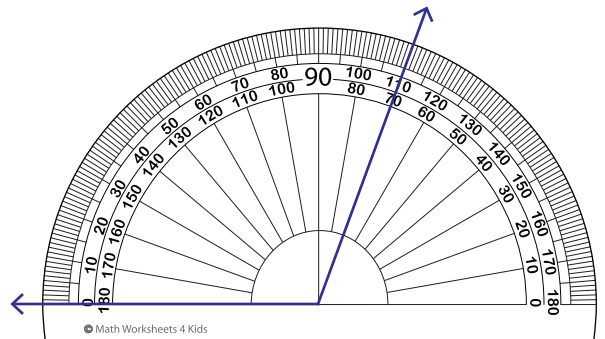
Angle: \_\_\_\_\_

3)



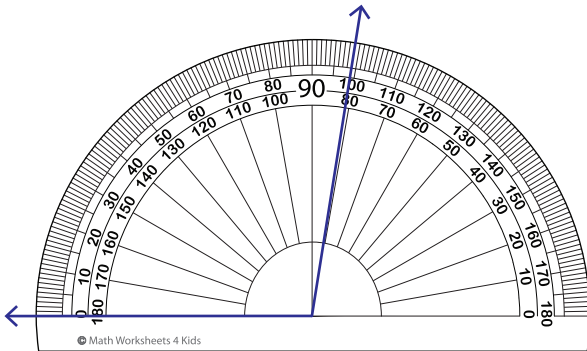
Angle: \_\_\_\_\_

4)



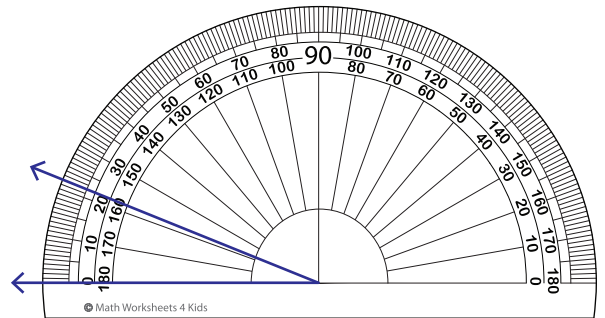
Angle: \_\_\_\_\_

5)



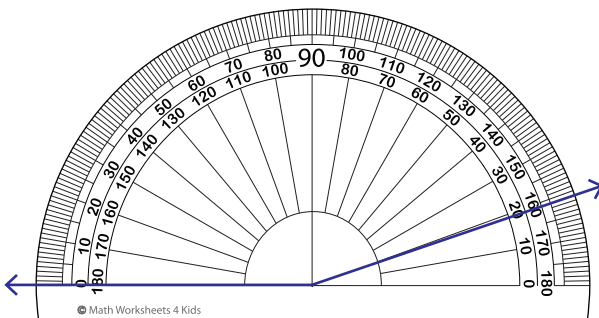
Angle: \_\_\_\_\_

6)



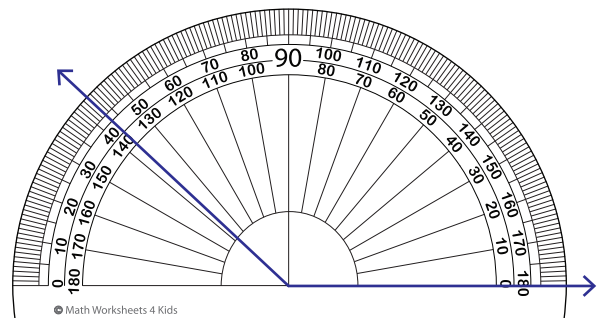
Angle: \_\_\_\_\_

7)



Angle: \_\_\_\_\_

8)



Angle: \_\_\_\_\_