

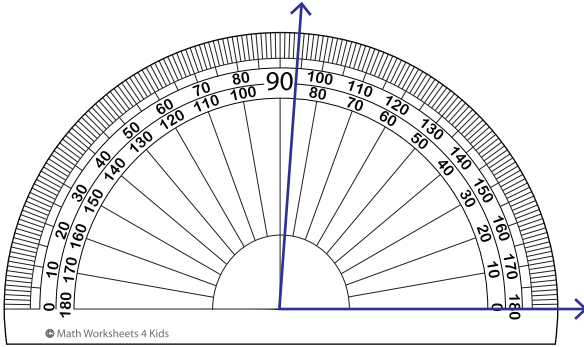
Name : _____

Reading a Protractor

Inner scale: S3

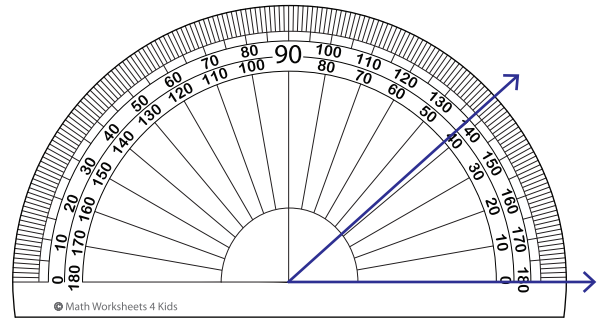
Read the protractor and measure each angle.

1)



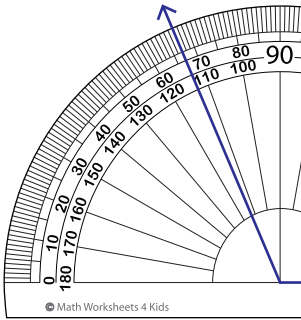
Angle: _____

2)

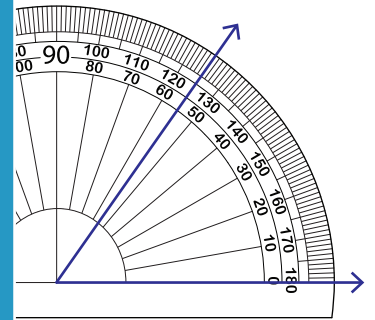


Angle: _____

3)

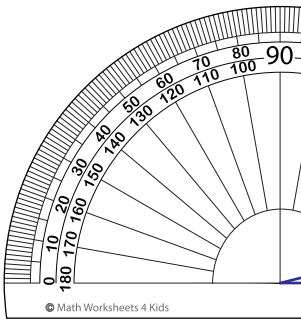


Angle: _____

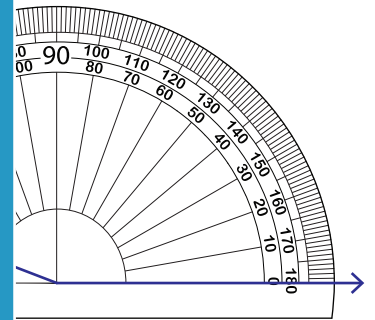


Angle: _____

5)

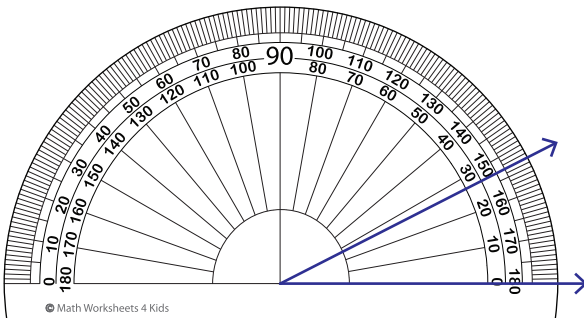


Angle: _____



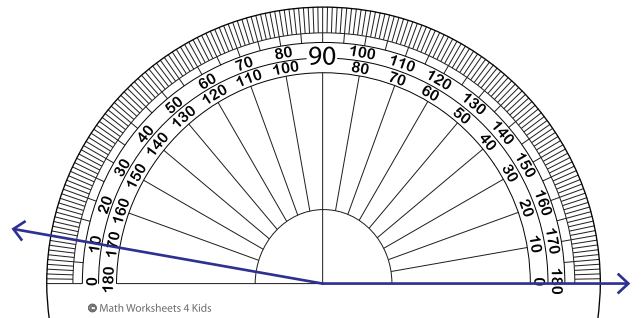
Angle: _____

7)



Angle: _____

8)



Angle: _____

PREVIEW

Gain complete access to the largest collection of worksheets in all subjects!

Members, please log in to download this worksheet.

Not a member? Please sign up to gain complete access.

www.mathworksheets4kids.com