

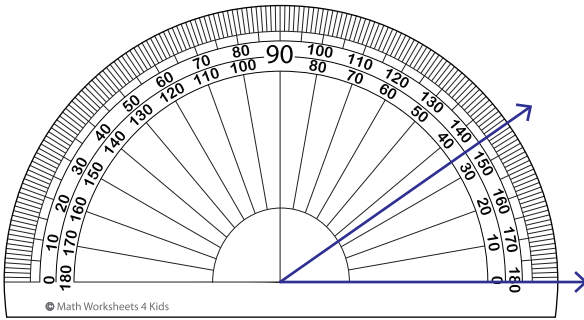
Name : _____

Reading a Protractor - 5° Increments

Inner scale: S3

Read the protractor and measure each angle.

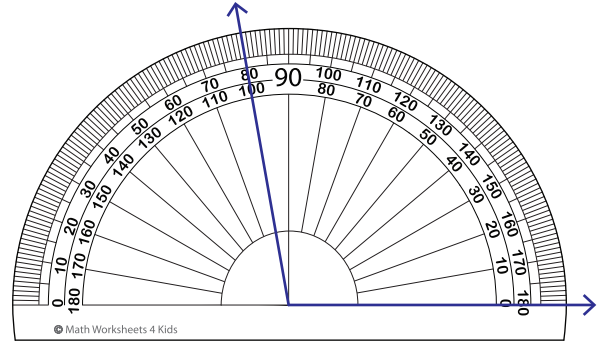
1)



© Math Worksheets 4 Kids

Angle: _____

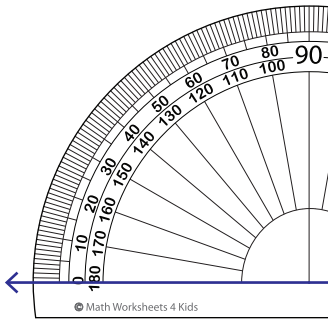
2)



© Math Worksheets 4 Kids

Angle: _____

3)



© Math Worksheets 4 Kids

Angle: _____

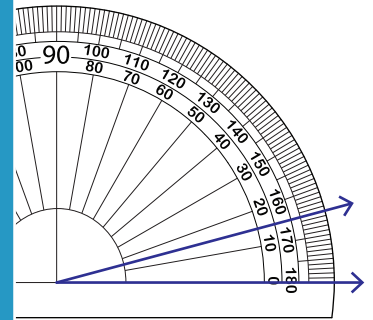
PREVIEW

Gain complete access to the largest collection of worksheets in all subjects!

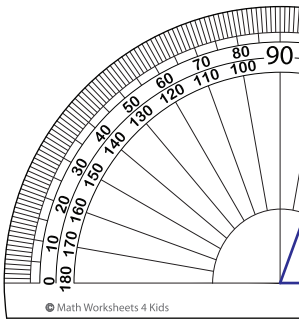
Members, please log in to download this worksheet.

Not a member? Please sign up to gain complete access.

www.mathworksheets4kids.com

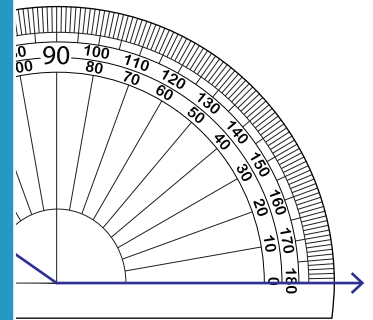


5)

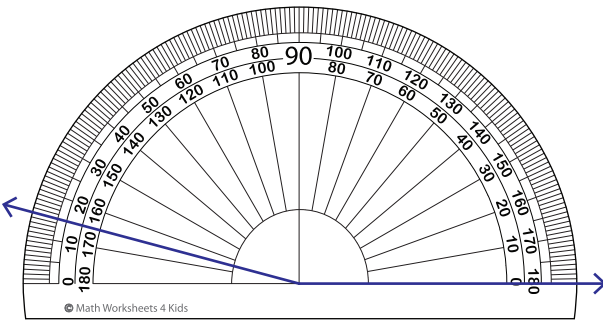


© Math Worksheets 4 Kids

Angle: _____



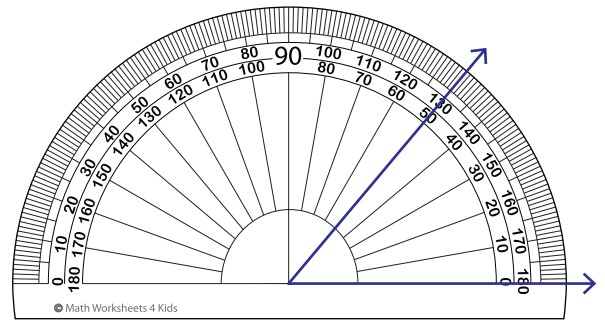
7)



© Math Worksheets 4 Kids

Angle: _____

8)



© Math Worksheets 4 Kids

Angle: _____