

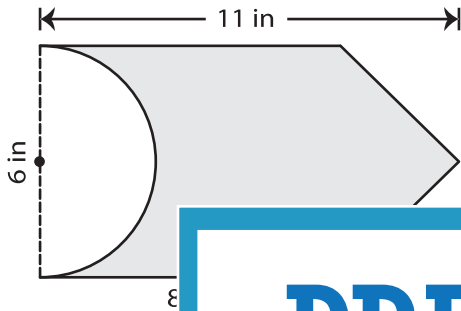
Name : _____

Area - Compound Shapes

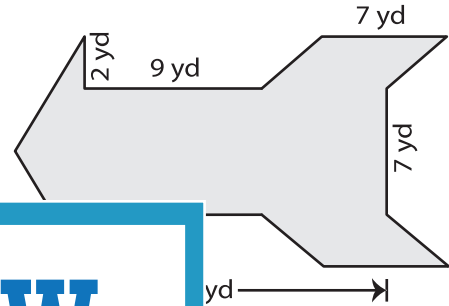
Mixed: L2S3

Find the area of the shaded region in each figure. Round your answer to 2 decimal places if required. (Use $\pi = 3.14$)

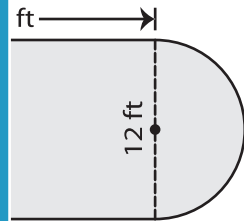
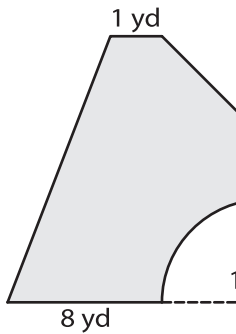
1)



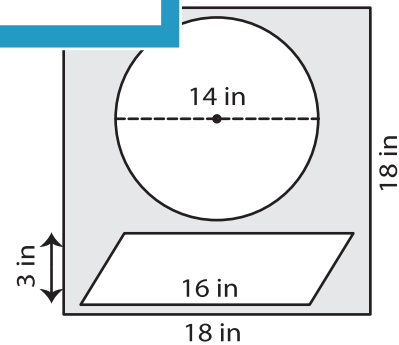
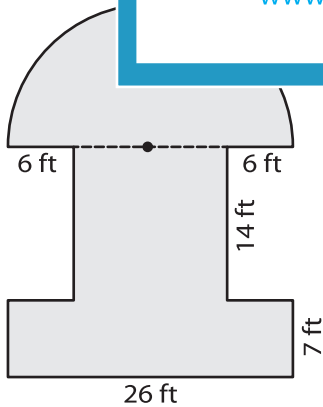
2)



3)



5)



PREVIEW

Gain complete access to the largest collection of worksheets in all subjects!

Members, please log in to download this worksheet.

Not a member? Please sign up to gain complete access.

www.mathworksheets4kids.com