

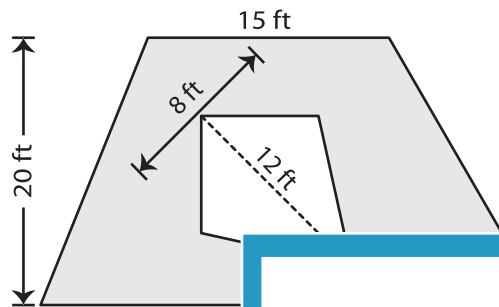
Name : \_\_\_\_\_

## Area - Compound Shapes

L152

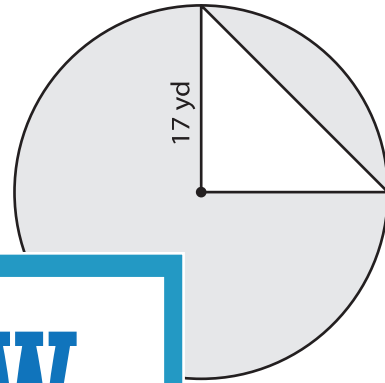
Find the area of the shaded region in each figure. Round your answer to 2 decimal places if required. (Use  $\pi = 3.14$ )

1)



Area = \_\_\_\_\_

2)



Area = \_\_\_\_\_

3)



Area = \_\_\_\_\_

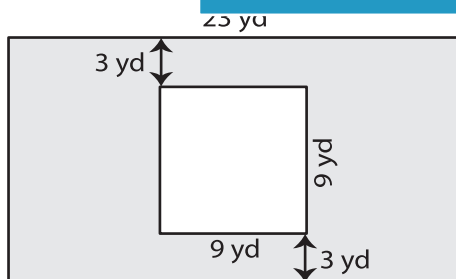
Gain complete access to the largest collection of worksheets in all subjects!

Members, please log in to download this worksheet.

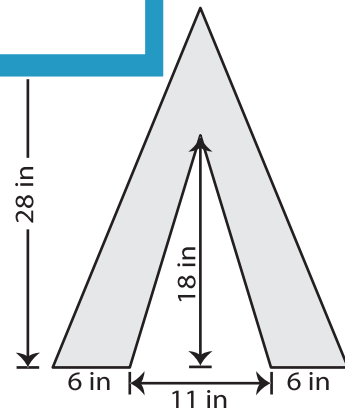
Not a member? Please sign up to gain complete access.

[www.mathworksheets4kids.com](http://www.mathworksheets4kids.com)

5)



Area = \_\_\_\_\_



Area = \_\_\_\_\_