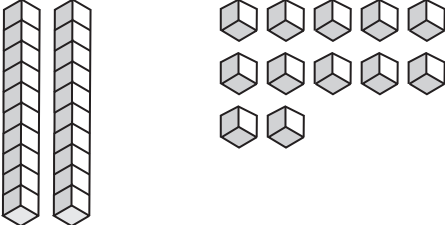


**Place Value Blocks - 2 Digits**

L2S3

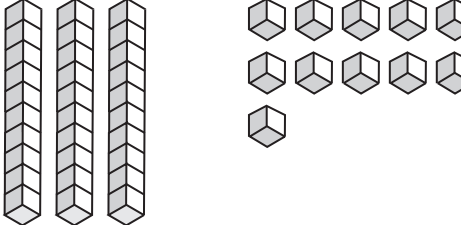
Write the number formed by base ten blocks.

1)



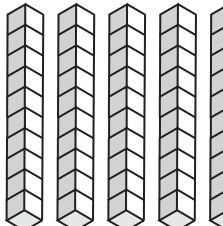
\_\_\_\_\_

2)



\_\_\_\_\_

3)



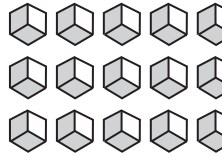
**PREVIEW**

Gain complete access to the largest collection of worksheets in all subjects!

Members, please log in to download this worksheet.


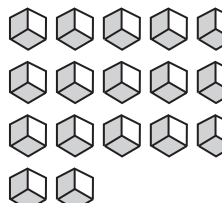
Not a member? Please sign up to gain complete access.

[www.mathworksheets4kids.com](http://www.mathworksheets4kids.com)



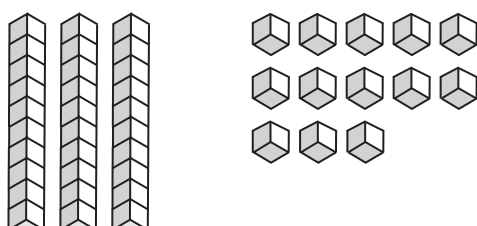
\_\_\_\_\_

5)

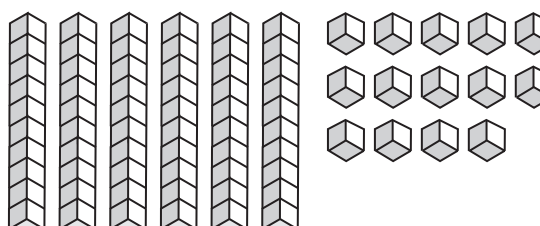
\_\_\_\_\_

7)



\_\_\_\_\_

8)



\_\_\_\_\_