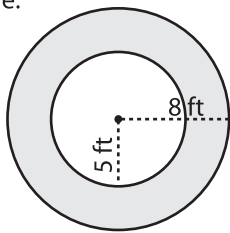


Name : _____

Concentric Circle - Area

Example:

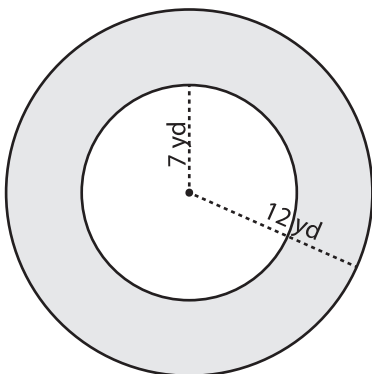


Area of shaded region = (Area of outer circle) - (Area of inner circle)

$$\begin{aligned}
 &= \pi R^2 - \pi r^2 \\
 &= \pi (R^2 - r^2) \\
 &= \pi (8^2 - 5^2) \\
 &= \pi (64 - 25) \\
 &= \mathbf{39\pi \text{ ft}^2}
 \end{aligned}$$

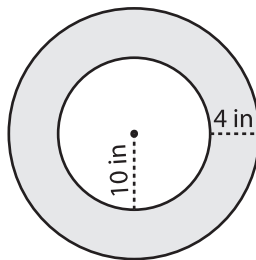
Find the area of the shaded region in terms of π .

1)



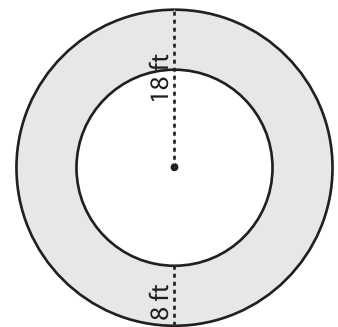
Area =

2)



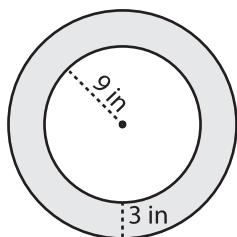
Area =

3)



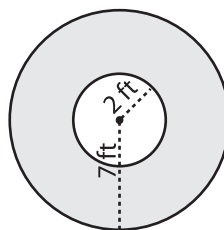
Area =

4)



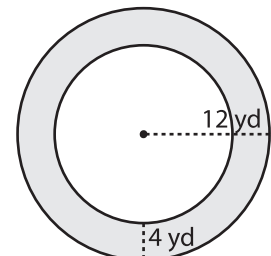
Area =

5)



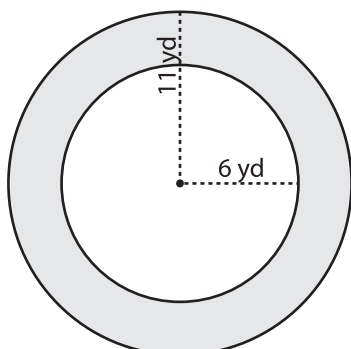
Area =

6)



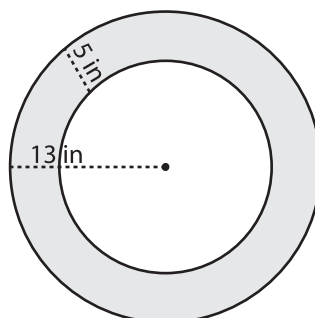
Area =

7)



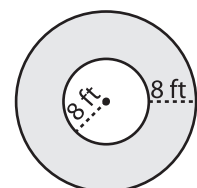
Area =

8)



Area =

9)



Area =