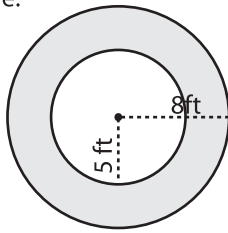


Concentric Circle - Area

Example:



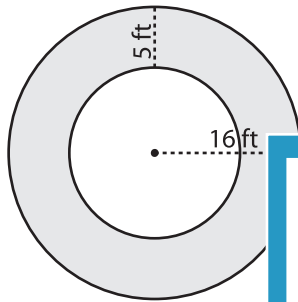
Area = ?

Area of shaded region = (Area of outer circle) - (Area of inner circle)

$$\begin{aligned}
 &= \pi R^2 - \pi r^2 \\
 &= \pi (R^2 - r^2) \\
 &= \pi (8^2 - 5^2) \\
 &= \pi (64 - 25) \\
 &= \mathbf{39\pi \text{ ft}^2}
 \end{aligned}$$

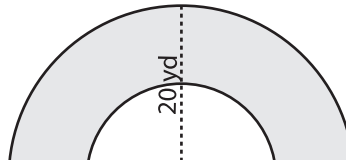
Find the area of the shaded region in terms of π .

1)

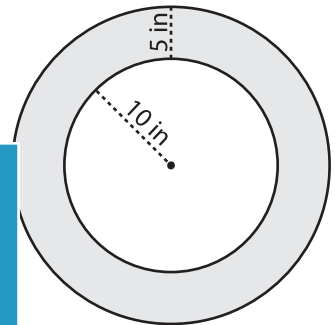


Area =

2)

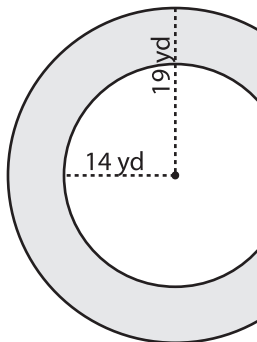


3)

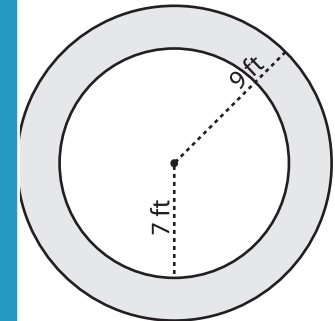


Area =

4)

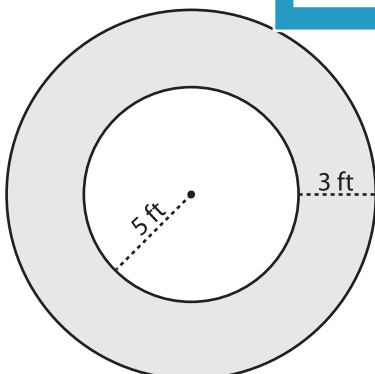


Area =

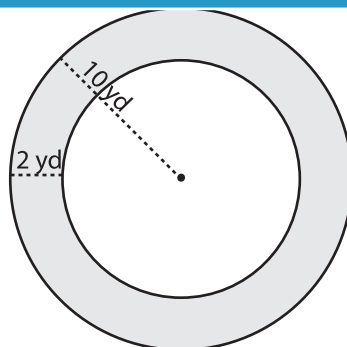


Area =

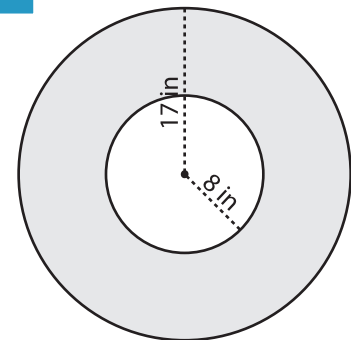
7)



Area =



Area =



Area =

PREVIEW

Gain complete access to the largest collection of worksheets in all subjects!

Members, please log in to download this worksheet.

Not a member? Please sign up to gain complete access.

www.mathworksheets4kids.com