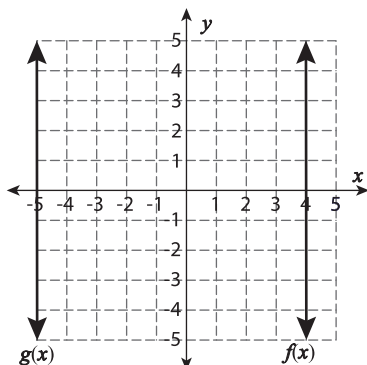


## MCQ

If  $g(x)$  is the translation of  $f(x)$ , Identify the translation.

1)



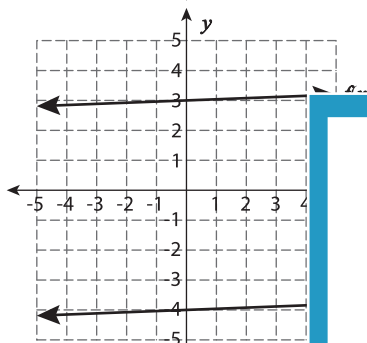
a) 10 units up

b) 9 units left

c) 9 units right

d) 10 units down

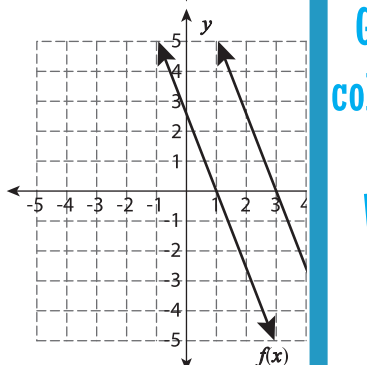
2)



) 8 units left

) 7 units down

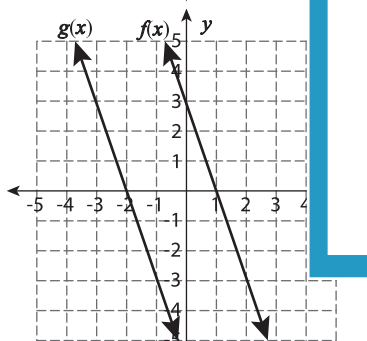
3)



) 5 units down

) 1 unit left

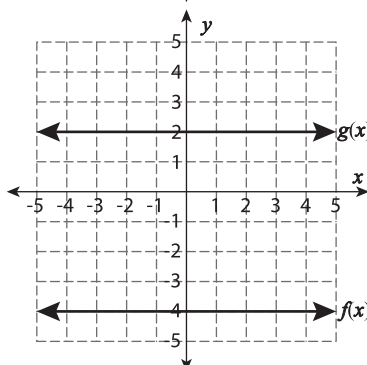
4)



) 3 units left

) 7 units down

5)



a) 8 units right

b) 6 units down

c) 6 units up

d) 5 units left

# PREVIEW

Gain complete access to the largest collection of worksheets in all subjects!

Members, please log in to download this worksheet.

Not a member? Please sign up to gain complete access.

[www.mathworksheets4kids.com](http://www.mathworksheets4kids.com)