

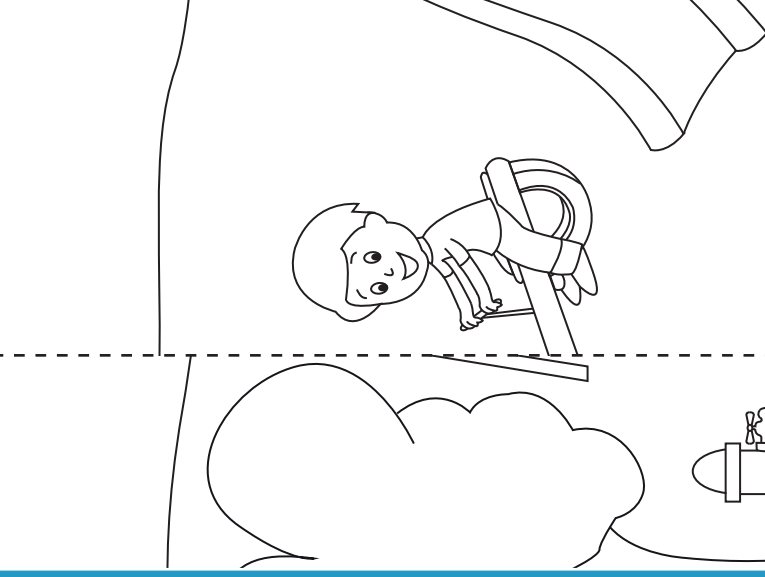
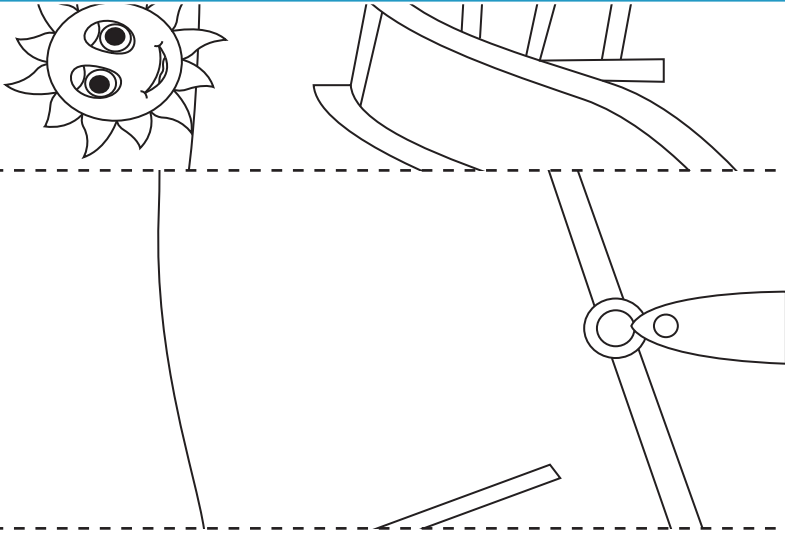
Name : _____

Picture Puzzle

S3: first to fifth

Cut out the picture strips. Paste

and so on to unravel the picture.



PREVIEW

Gain complete access to the largest collection of worksheets in all subjects!

Members, please log in to download this worksheet.

Not a member? Please sign up to gain complete access.

www.mathworksheets4kids.com



third

fifth

second

first

fourth



Name : _____

Picture Puzzle

S3: first to fifth

Paste the cut strips on the spa

PREVIEW

Gain complete access to the largest collection of worksheets in all subjects!

Members, please log in to download this worksheet.

Not a member? Please sign up to gain complete access.

www.mathworksheets4kids.com