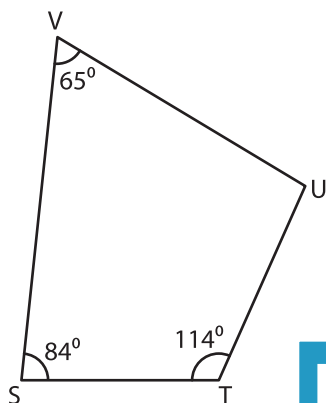


Name : _____

Quadrilateral - Angles

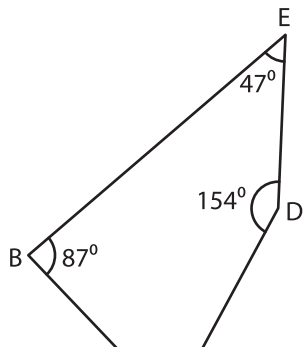
Find the measure of the indicated angle in each quadrilateral.

1)

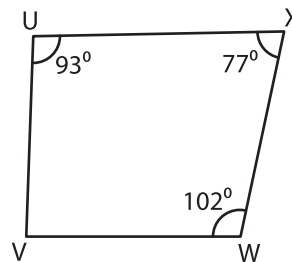


$m\angle U =$ _____

2)

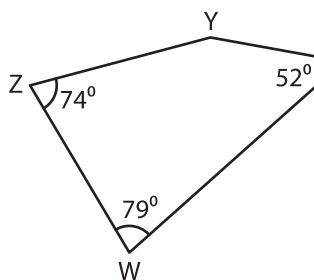


3)

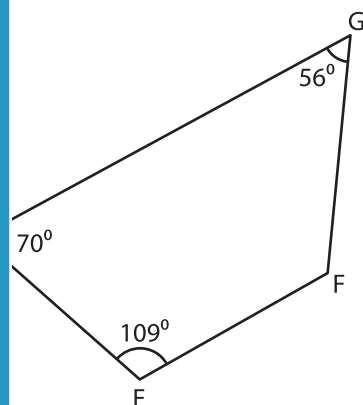


$m\angle V =$ _____

4)

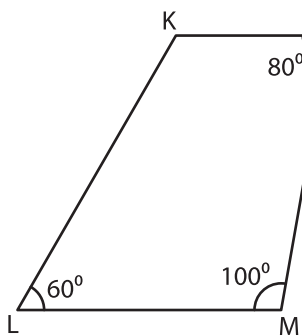


$m\angle Y =$ _____

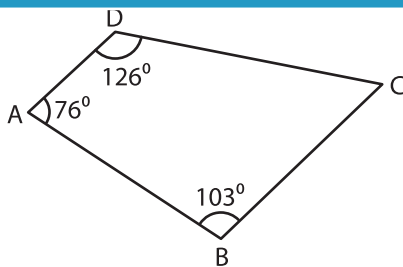


$m\angle F =$ _____

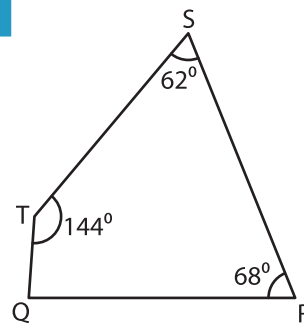
7)



$m\angle K =$ _____



$m\angle C =$ _____



$m\angle Q =$ _____

PREVIEW

Gain complete access to the largest collection of worksheets in all subjects!

Members, please log in to download this worksheet.

Not a member? Please sign up to gain complete access.

www.mathworksheets4kids.com