

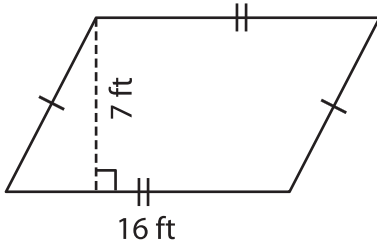
Name : _____

Area – Quadrilateral

L2S4

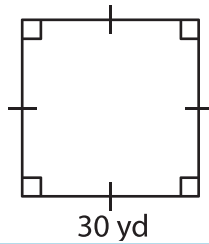
Find the area of each quadrilateral.

1)



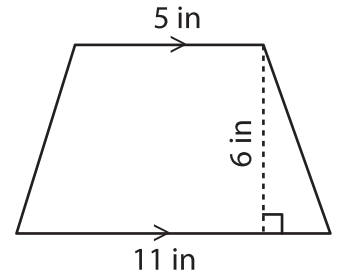
Area = _____

2)

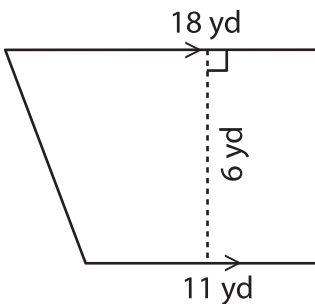


Area = _____

3)



4)



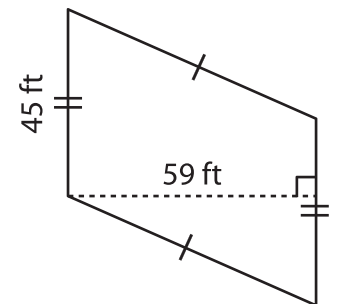
Area = _____

PREVIEW
Gain complete access to the largest collection of worksheets in all subjects!

Members, please log in to download this worksheet.

Not a member? Please sign up to gain complete access.

www.mathworksheets4kids.com



Area = _____

7) The sum of the lengths respectively. Determine the area.

_____ inches and 8 inches

8) The side of a square measures 15 yards. Find the area of the square.
