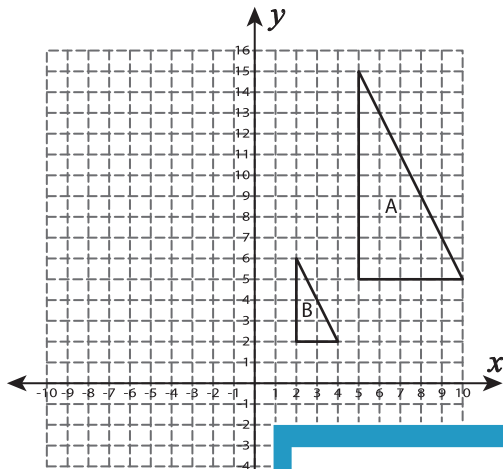


Identifying Scale Factors

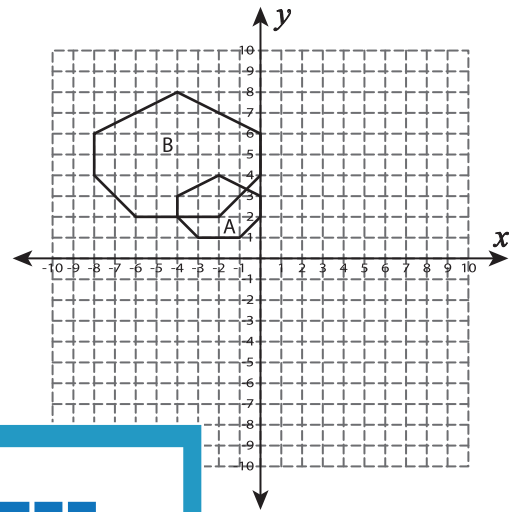
Figure A is a dilated image of figure B. Find the scale factor.

1)



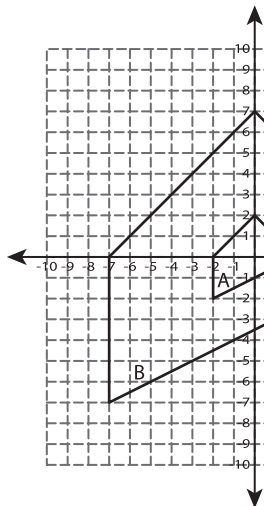
Scale factor = _____

2)

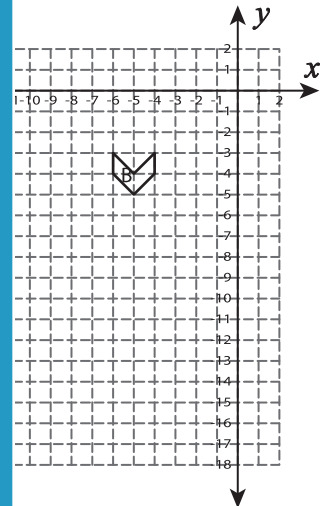


r = _____

3)

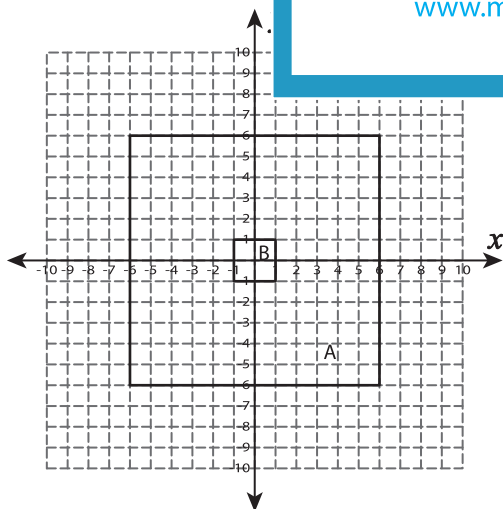


Scale factor = _____

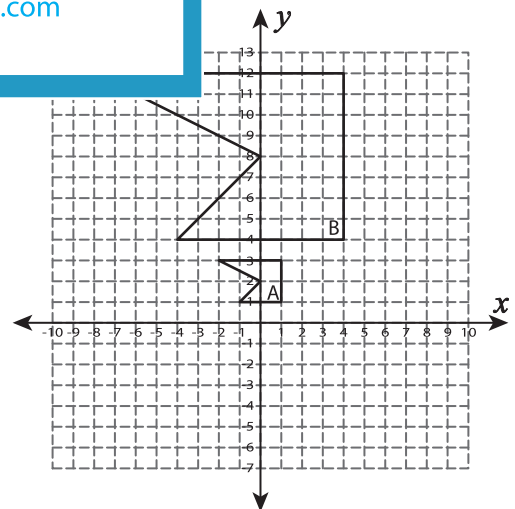


r = _____

5)



Scale factor = _____



Scale factor = _____

PREVIEW

Gain complete access to the largest collection of worksheets in all subjects!

Members, please log in to download this worksheet.

Not a member? Please sign up to gain complete access.

www.mathworksheets4kids.com