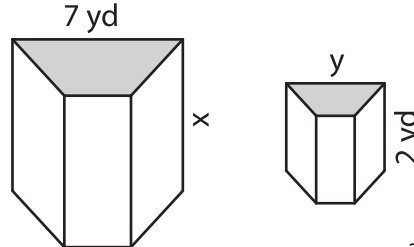


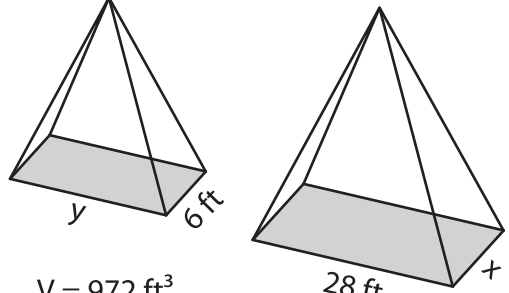
Name : _____

Scale Factor - Finding Sides

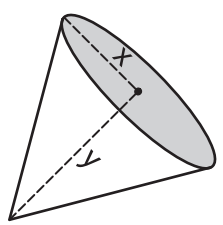
Sheet 1

Each pair of figures is similar. Find x and y (SA denotes Surface Area and V denotes Volume).

1)  $SA = 17.2 \text{ yd}^2$

2)  $V = 972 \text{ ft}^3$

$x = \underline{\hspace{2cm}}$; $y = \underline{\hspace{2cm}}$

3)  $V = 500\pi \text{ in}^3$

$x = \underline{\hspace{2cm}}$; $y = \underline{\hspace{2cm}}$

PREVIEW

Gain complete access to the largest collection of worksheets in all subjects!

Members, please log in to download this worksheet.

Not a member? Please sign up to gain complete access.

www.mathworksheets4kids.com

5) The volumes of two similar rectangular prisms are 2,147.466 cubic inches and 7.1 cubic inches. Find the height and surface area of the larger prism are

6) E and F are similar cylinders with surface areas 192π square feet and $3,888\pi$ square feet respectively. If the radius and height of F measures 27 feet and 45 feet, find the radius and height of E.