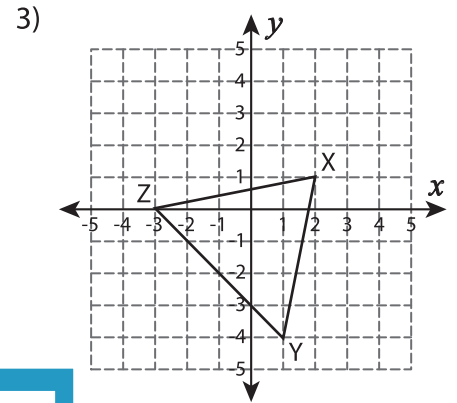
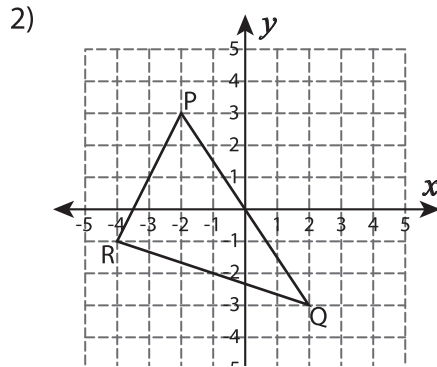
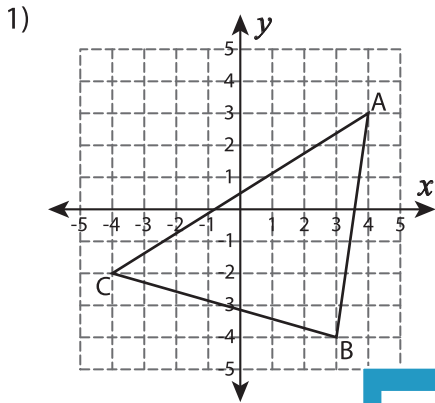


Finding Slopes: Shapes

Identify the slope of each line segment, joined to form a triangle.



Slope of \overline{AB} = _____

Slope of \overline{BC} = _____

Slope of \overline{CA} = _____

Slope of \overline{XY} = _____

Slope of \overline{YZ} = _____

Slope of \overline{ZX} = _____

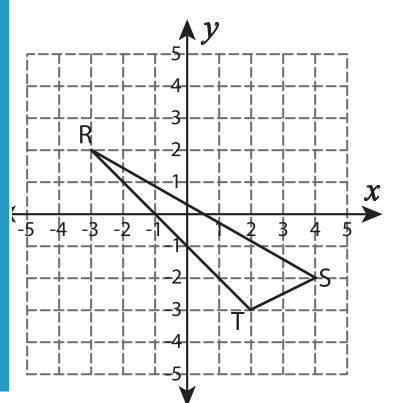
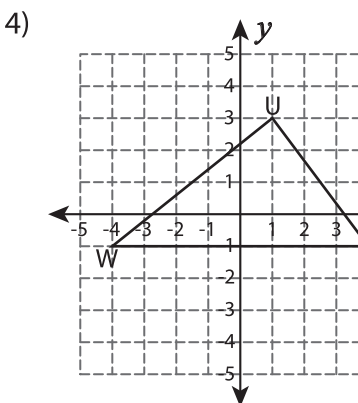
PREVIEW

Gain complete access to the largest collection of worksheets in all subjects!

Members, please log in to download this worksheet.

Not a member? Please sign up to gain complete access.

www.mathworksheets4kids.com



Slope of \overline{UV} = _____

Slope of \overline{MN} = _____

Slope of \overline{RS} = _____

Slope of \overline{VW} = _____

Slope of \overline{NO} = _____

Slope of \overline{ST} = _____

Slope of \overline{WU} = _____

Slope of \overline{OM} = _____

Slope of \overline{TR} = _____