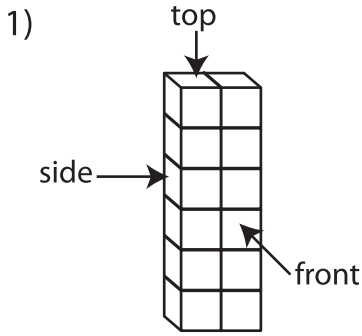


Name : _____

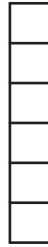
Front, Top, & Side Views

Choose the image corresponding to the specified view.



Side View

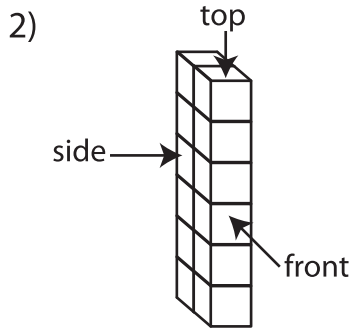
a)



b)



c)



Side View

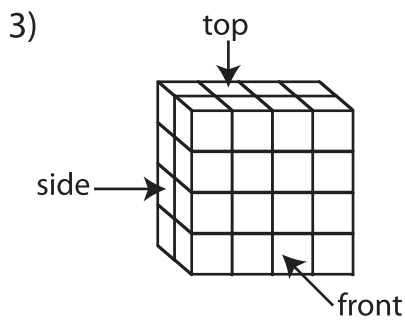
a)



b)

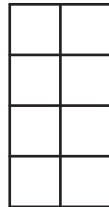


c)

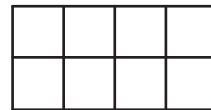


Front View

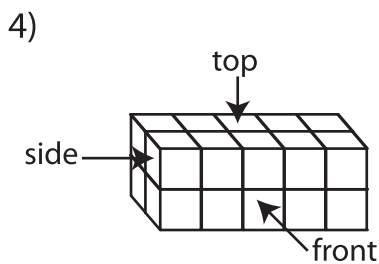
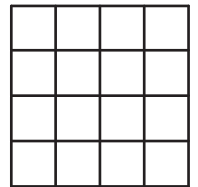
a)



b)

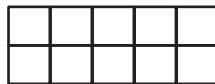


c)



Top View

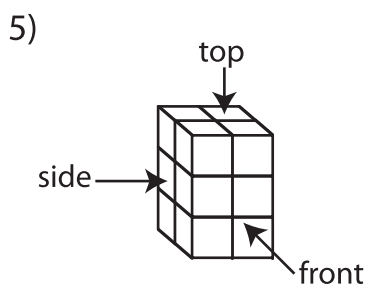
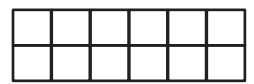
a)



b)



c)



Side View

a)



b)



c)

