

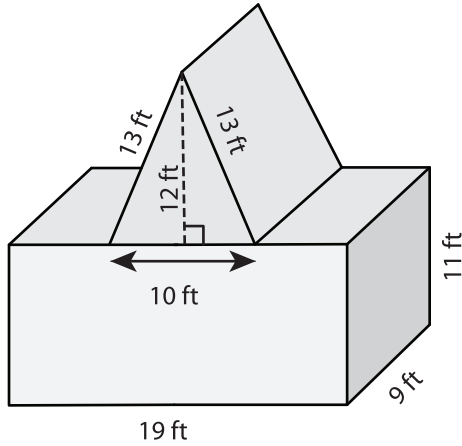
Name : _____

Surface Area of Composite Figures

Sheet 1

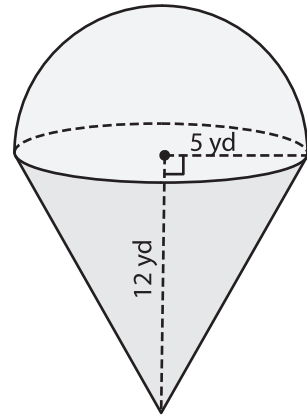
Find the surface area of each figure. Round your answer to two decimal places.
(use $\pi = 3.14$)

1)



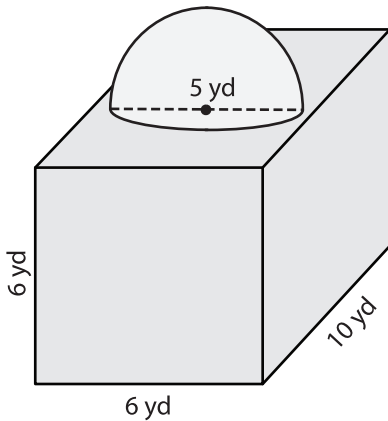
Surface Area = _____

2)



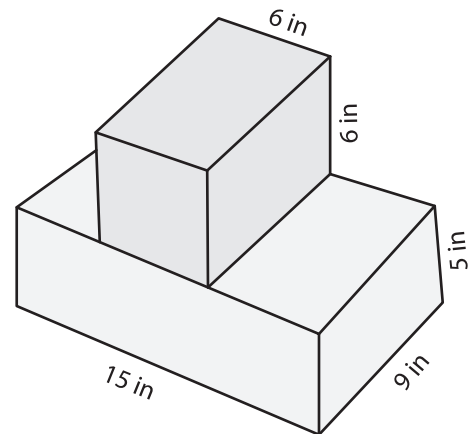
Surface Area = _____

3)



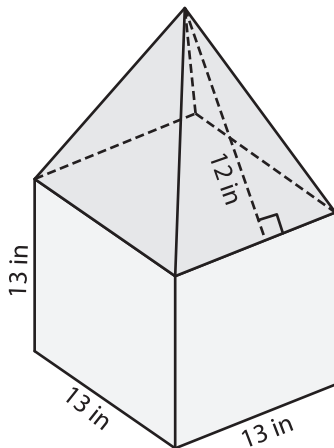
Surface Area = _____

4)



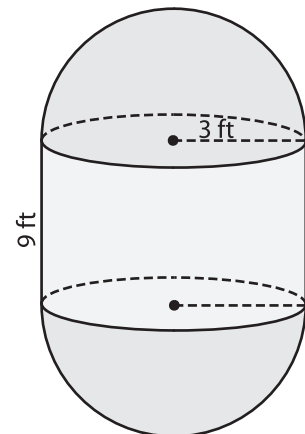
Surface Area = _____

5)



Surface Area = _____

6)



Surface Area = _____