

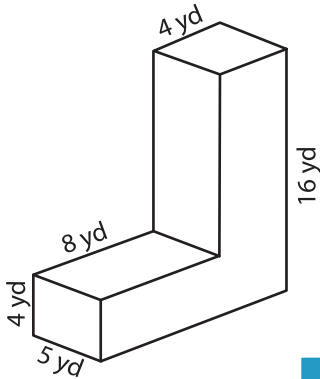
Name : \_\_\_\_\_

Integers: ES2

## Surface Area - Solid Figures

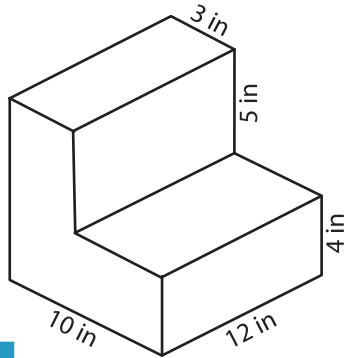
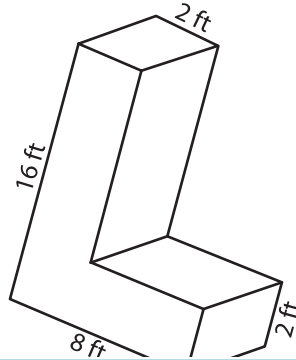
Find the surface area of each solid figure.

1)



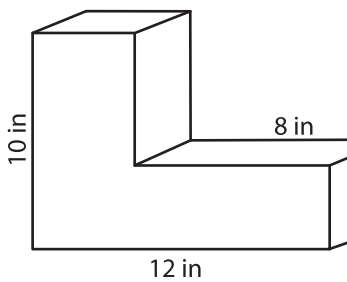
Surface Area = \_\_\_\_\_

2)



face Area = \_\_\_\_\_

4)



Surface Area = \_\_\_\_\_

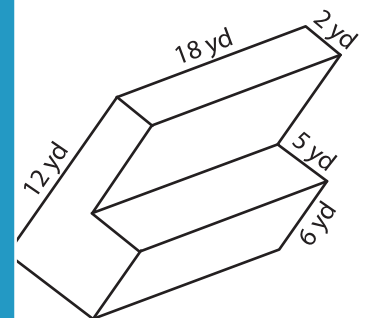
**PREVIEW**

Gain complete access to the largest collection of worksheets in all subjects!

Members, please log in to download this worksheet.

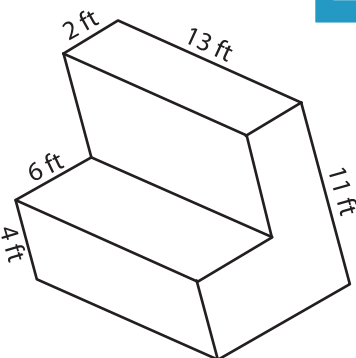
Not a member? Please sign up to gain complete access.

[www.mathworksheets4kids.com](http://www.mathworksheets4kids.com)

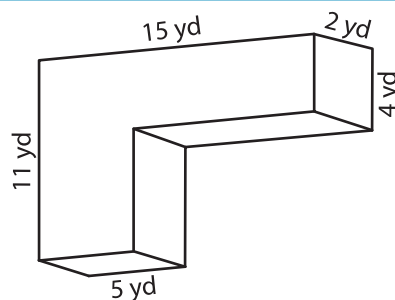


face Area = \_\_\_\_\_

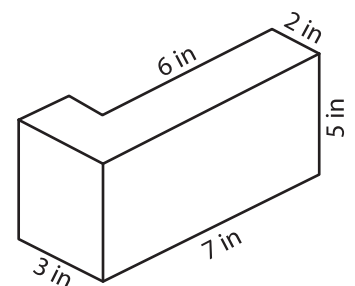
7)



Surface Area = \_\_\_\_\_



Surface Area = \_\_\_\_\_



Surface Area = \_\_\_\_\_