

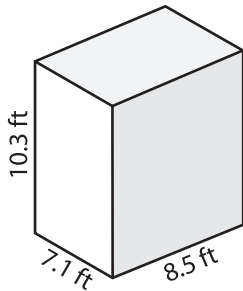
Name : _____

Decimals: S1

Surface Area - Rectangular Prism

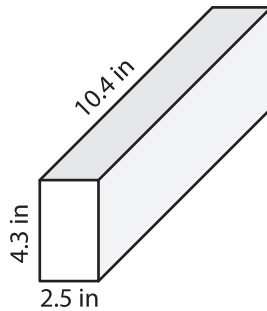
Find the surface area of each rectangular prism.

1)



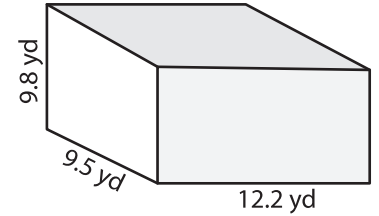
Surface Area = _____

2)



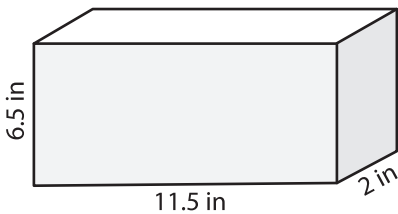
Surface Area = _____

3)



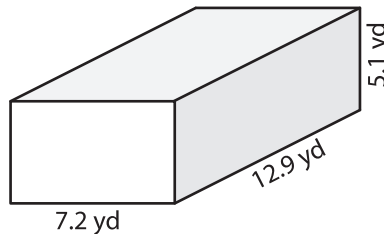
Surface Area = _____

4)



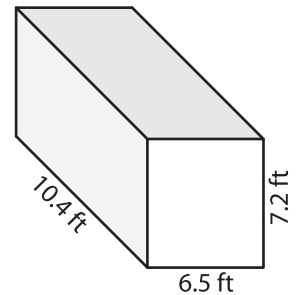
Surface Area = _____

5)



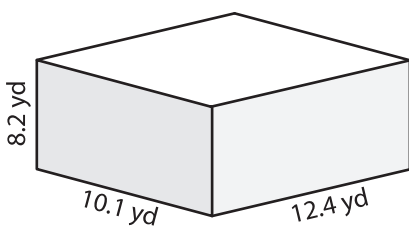
Surface Area = _____

6)



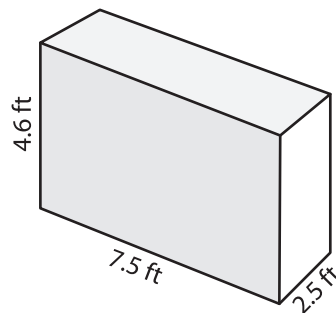
Surface Area = _____

7)



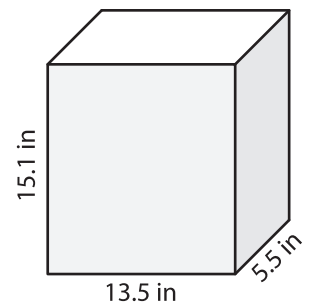
Surface Area = _____

8)



Surface Area = _____

9)



Surface Area = _____

- 10) The length, width, and height of a wooden box are 12.3 inches, 6.4 inches, and 7.5 inches respectively. Find the surface area of the box.

Surface Area = _____