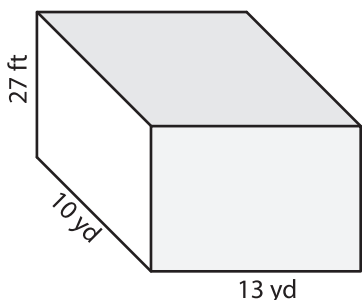


Name : _____

Surface Area - Rectangular Prism

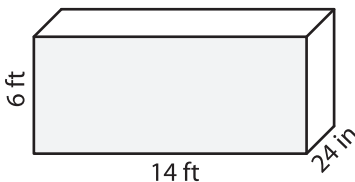
Find the surface area of each rectangular prism.

1)



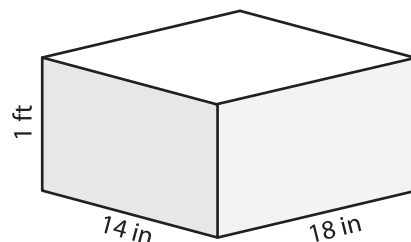
Surface Area = _____ yd²

2)



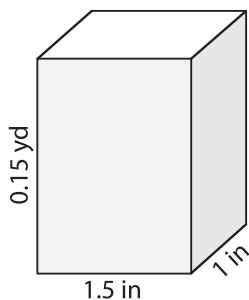
Surface Area = _____ ft²

3)

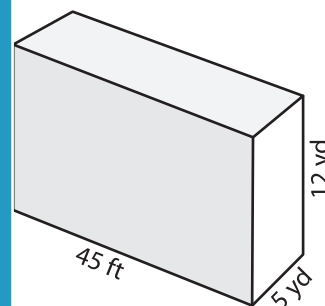


Surface Area = _____ in²

4)

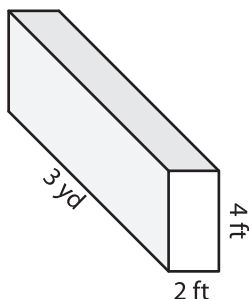


Surface Area = _____



Surface Area = _____ yd²

7)



Surface Area = _____ ft²

Surface Area = _____ in²

Surface Area = _____ yd²

PREVIEW

Gain complete access to the largest collection of worksheets in all subjects!

Members, please log in to download this worksheet.

Not a member? Please sign up to gain complete access.

www.mathworksheets4kids.com

10) Juliet makes a rectangular jewellery box out of cardboard. If the box is 9.5 inches long, a foot wide, and 4 inches high, what is the surface area of the jewellery box?

Surface Area = _____ square inches