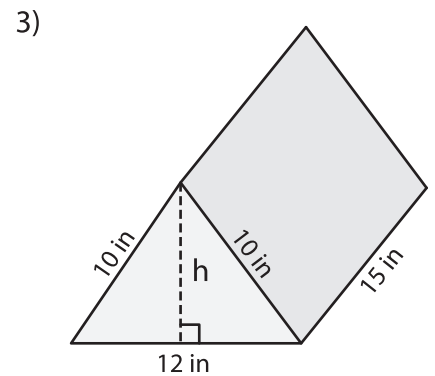
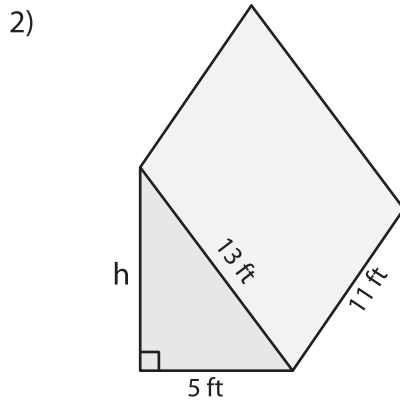
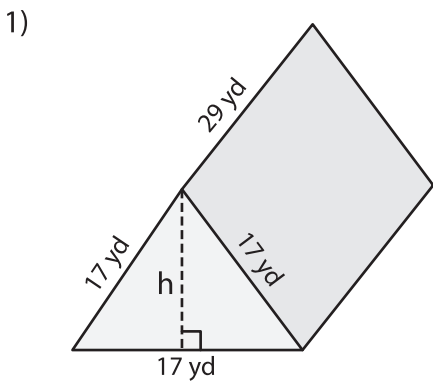


Surface Area - Triangular Prisms

Find the height and calculate the surface area of each triangular prism. Round your answer to two decimal places.

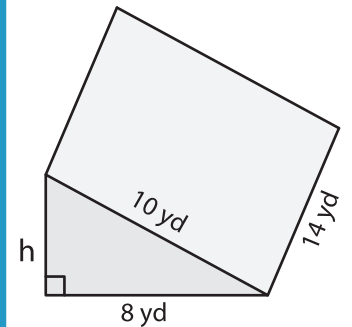
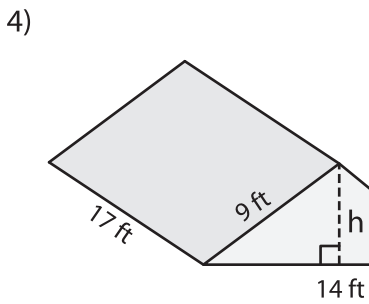


Height (h) = _____

Surface Area = _____

Height (h) = _____

Surface Area = _____

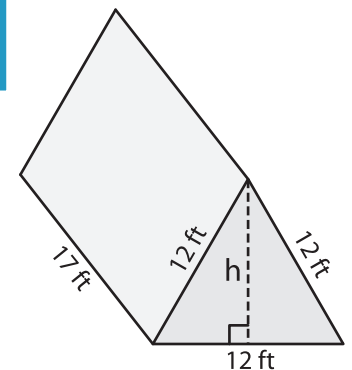
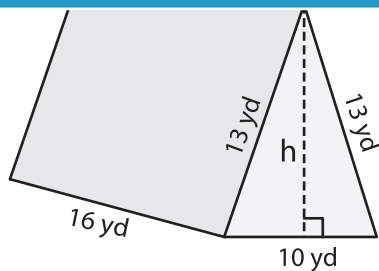
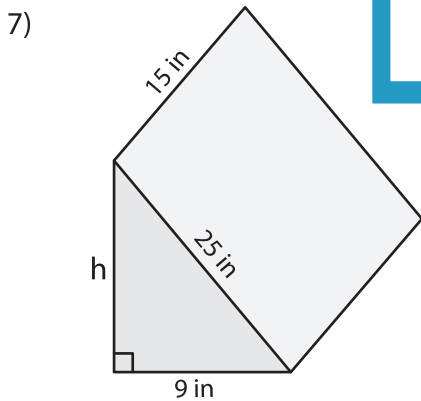


Height (h) = _____

Surface Area = _____

Height (h) = _____

Surface Area = _____



Height (h) = _____

Surface Area = _____

Height (h) = _____

Surface Area = _____

Height (h) = _____

Surface Area = _____

PREVIEW

Gain complete access to the largest collection of worksheets in all subjects!

Members, please log in to download this worksheet.

Not a member? Please sign up to gain complete access.

www.mathworksheets4kids.com