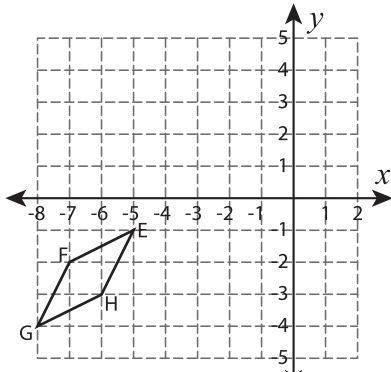


Write the New Coordinates

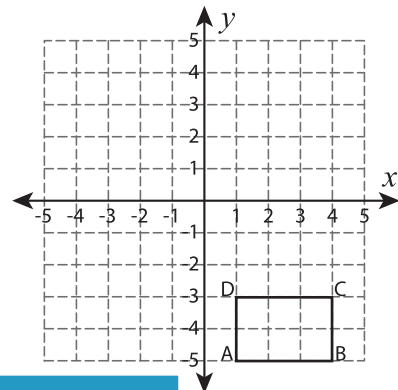
Graph the image of each figure after the given reflection. Also write the coordinates of the image.

1) Reflection across the line $x = -3$



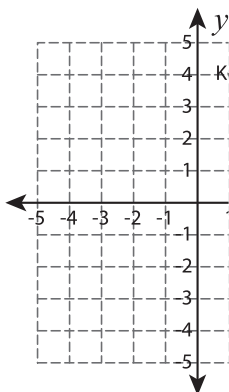
E' : _____ , F' : _____
G' : _____ , H' : _____

2) Reflection across the line $y = -1$



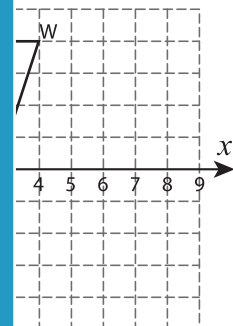
B' : _____
D' : _____

3) Reflection across the line $x = 5$



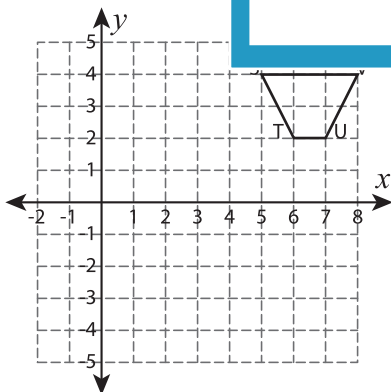
K' : _____ , L' : _____
M' : _____ , N' : _____

Reflection across the line $x = 5$



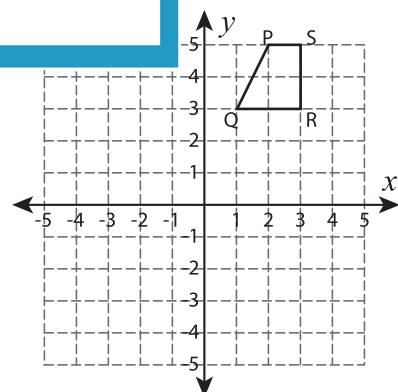
V' : _____

5) Reflection across the line $y = 2$



S' : _____ , T' : _____
U' : _____ , V' : _____

Reflection across the line $y = 2$



P' : _____ , Q' : _____
R' : _____ , S' : _____

PREVIEW

Gain complete access to the largest collection of worksheets in all subjects!

Members, please log in to download this worksheet.

Not a member? Please sign up to gain complete access.

www.mathworksheets4kids.com