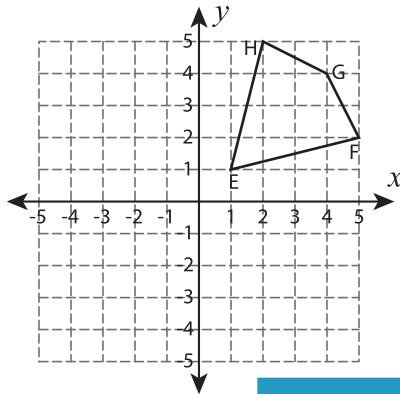


## Write the New Coordinates

Graph the image of each figure after rotating it about the origin. Also write the coordinates of the image.

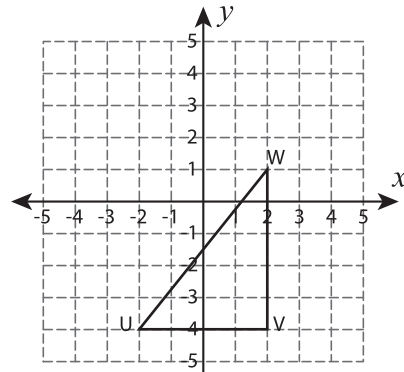
1)  $90^\circ$  counterclockwise rotation



$E'$  : \_\_\_\_\_ ,  $F'$  :

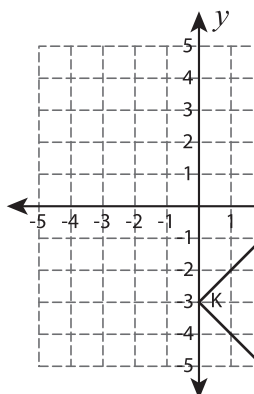
$G'$  : \_\_\_\_\_ ,  $H'$  :

2)  $90^\circ$  clockwise rotation



$V'$  : \_\_\_\_\_

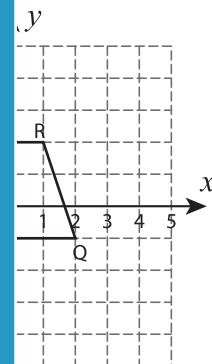
3)  $180^\circ$  rotation



$K'$  : \_\_\_\_\_ ,  $L'$  :

$M'$  : \_\_\_\_\_ ,  $N'$  :

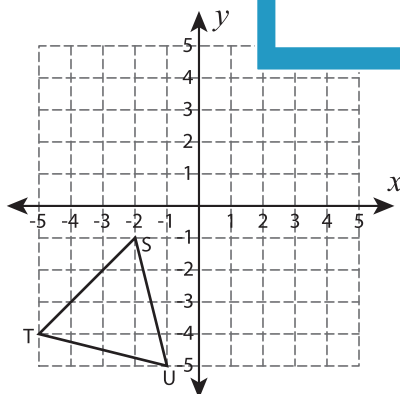
wise rotation



$Q'$  : \_\_\_\_\_

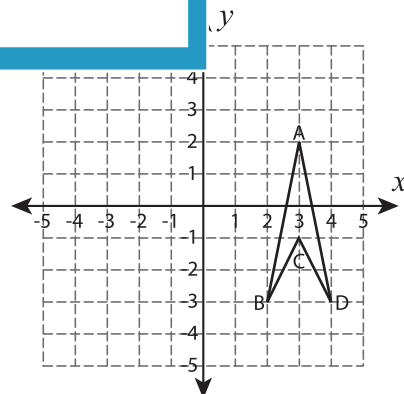
$S'$  : \_\_\_\_\_

5)  $90^\circ$  clockwise rotation



$S'$  : \_\_\_\_\_ ,  $T'$  : \_\_\_\_\_

$U'$  : \_\_\_\_\_



$A'$  : \_\_\_\_\_ ,  $B'$  : \_\_\_\_\_

$C'$  : \_\_\_\_\_ ,  $D'$  : \_\_\_\_\_

# PREVIEW

Gain complete access to the largest collection of worksheets in all subjects!

Members, please log in to download this worksheet.

Not a member? Please sign up to gain complete access.

[www.mathworksheets4kids.com](http://www.mathworksheets4kids.com)