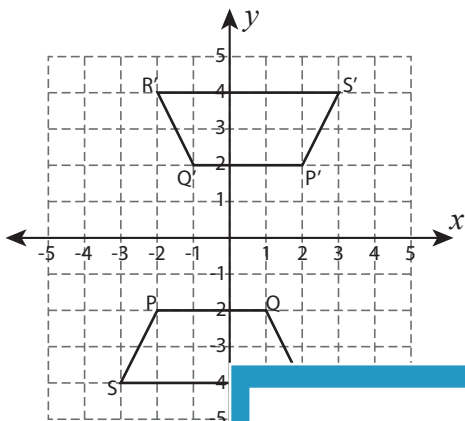


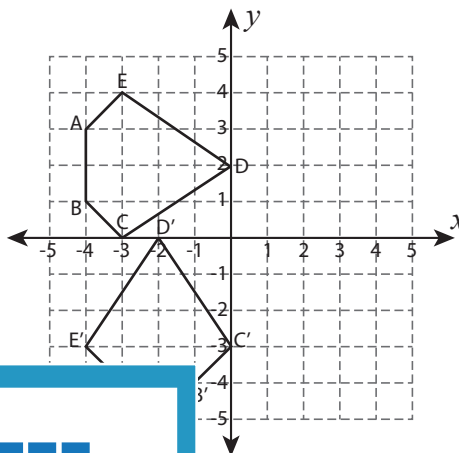
Rotation of Shapes

Write a rule to describe each rotation.

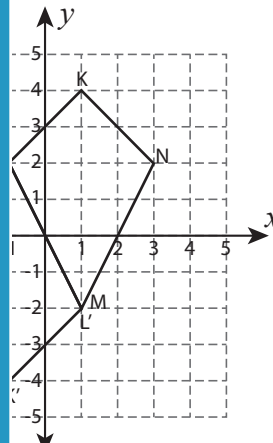
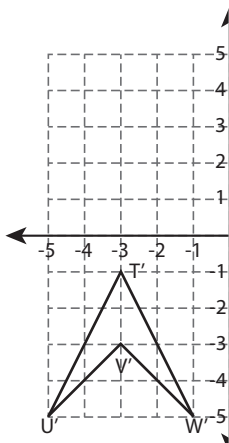
1)



2)



3)



Gain complete access to the largest collection of worksheets in all subjects!

Members, please log in to download this worksheet.

Not a member? Please sign up to gain complete access.

www.mathworksheets4kids.com

5)

