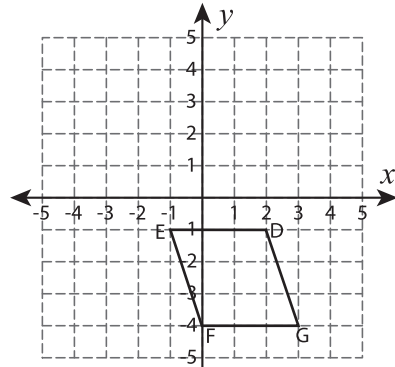
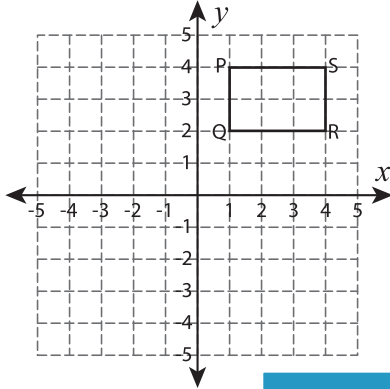


Write the New Coordinates

Graph the image of each figure after the given transformation. Also write the coordinates of the image.

1) Translate 5 units left and 4 units down

2) 180° rotation about the origin



P' : _____ , Q' : _____

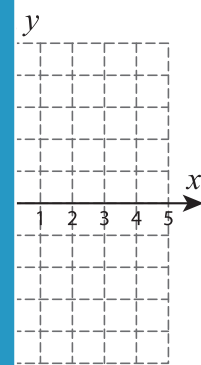
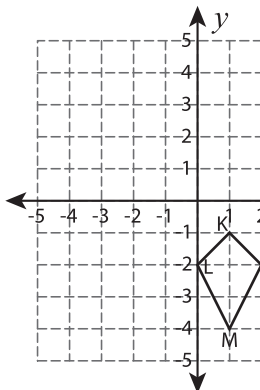
E' : _____

R' : _____ , S' : _____

G' : _____

3) Reflection across the line

_____ down and 3 units right



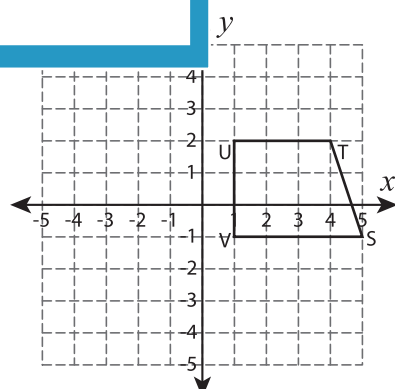
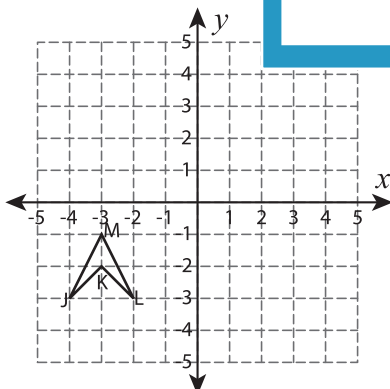
K' : _____ , L' : _____

B' : _____

M' : _____ , N' : _____

5) 90° counterclockwise rotation about the origin

_____ the line $y = 2$



J' : _____ , K' : _____

S' : _____ , T' : _____

L' : _____ , M' : _____

U' : _____ , V' : _____

PREVIEW

Gain complete access to the largest collection of worksheets in all subjects!

Members, please log in to download this worksheet.

Not a member? Please sign up to gain complete access.

www.mathworksheets4kids.com