

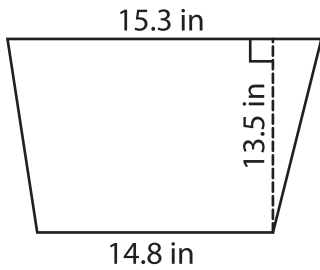
Name : _____

Trapezoid – Area

T2S3

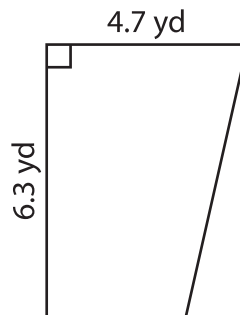
Find the area of each trapezoid. Round your answer to two decimal places.

1)

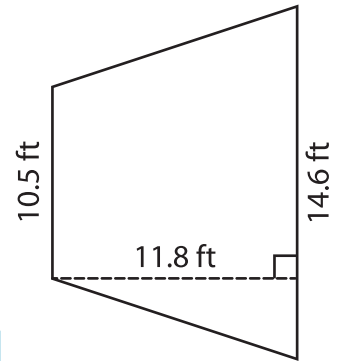


Area = _____

2)

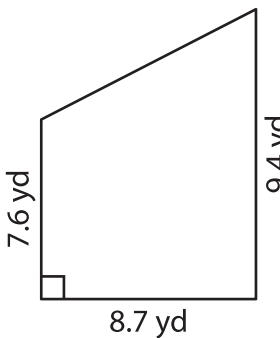


3)



Area = _____

4)



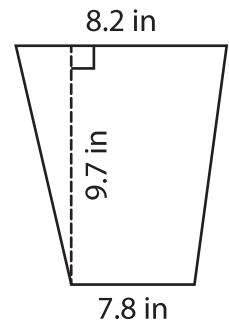
Area = _____

PREVIEW
Gain complete access to the largest collection of worksheets in all subjects!

Members, please log in to download this worksheet.

Not a member? Please sign up to gain complete access.

www.mathworksheets4kids.com



Area = _____

7) The height of a trapezoid is 5.9 inches and 9.2 inches. The parallel bases measure

_____ parallel bases measure

8) The perpendicular distance between the bases of a trapezoid is 10 feet. Determine the area of the trapezoid, if the sum of the bases is 24.4 feet.