

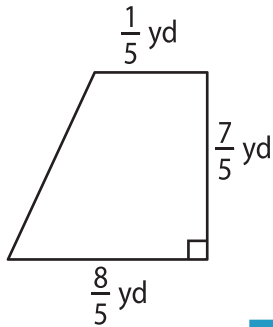
Name : _____

Trapezoid – Area

T2S1

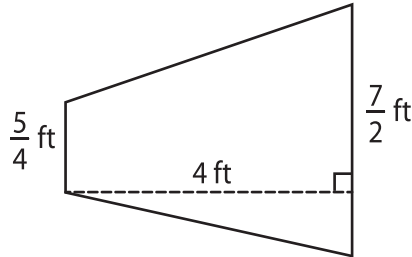
Find the area of each trapezoid.

1)



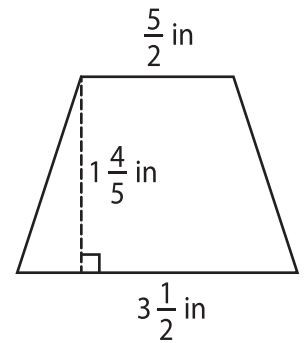
Area = _____

2)

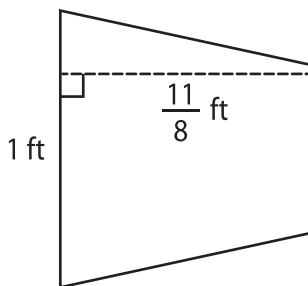


Area = _____

3)



4)



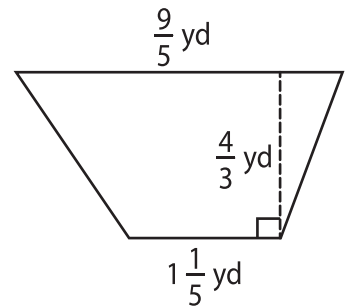
Area = _____

PREVIEW
Gain complete access to the largest collection of worksheets in all subjects!

Members, please log in to download this worksheet.

Not a member? Please sign up to gain complete access.

www.mathworksheets4kids.com



Area = _____

7) The height of a trapezoid is $1\frac{1}{2}$ feet and the sum of the bases is $10\frac{1}{2}$ feet. What is the area of the trapezoid?

and $\frac{1}{2}$ inch, what is the area

8) The sum of the bases and the height of a trapezoid are $\frac{13}{9}$ feet and 3 feet respectively. Determine the area of the trapezoid.