

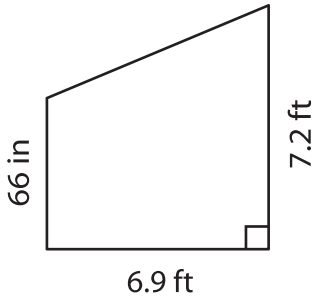
Name : _____

Trapezoid – Area

T2S1

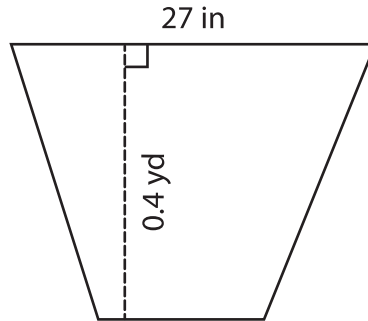
Find the area of each trapezoid. Round your answer to two decimal places.

1)

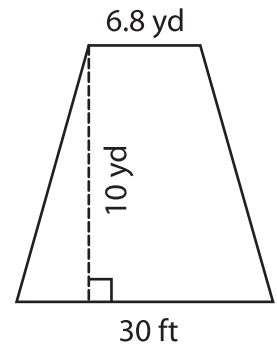


Area = _____ ft²

2)

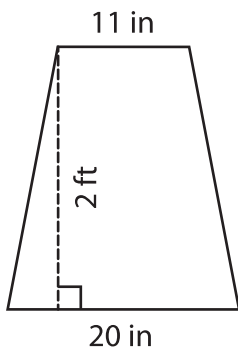


3)



Area = _____ yd²

4)



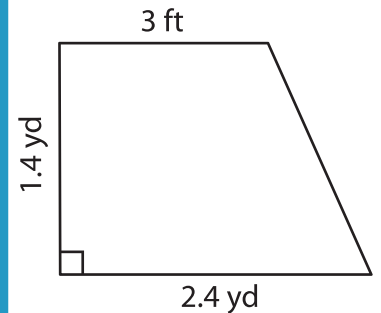
Area = _____ in²

PREVIEW
Gain complete access to the largest collection of worksheets in all subjects!

Members, please log in to download this worksheet.

Not a member? Please sign up to gain complete access.

www.mathworksheets4kids.com



Area = _____ ft²

7) The sum of the parallel bases of a trapezoid is 6 inches respectively. Determine the area of the trapezoid.

8) The perpendicular distance between the bases of a trapezoid is 5 feet. If the lengths of the bases are 62 inches and 6 feet, what is the area of a trapezoid in square inches?
