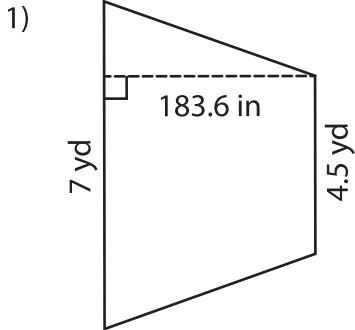


Name : _____

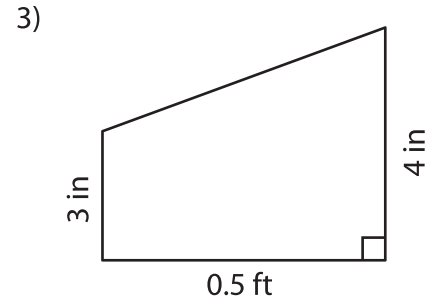
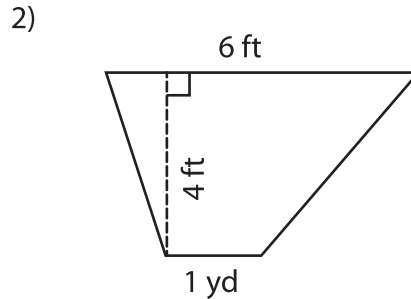
Trapezoid – Area

T2S3

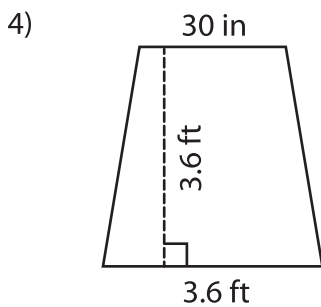
Find the area of each trapezoid. Round your answer to two decimal places.



Area = _____ yd²



Area = _____ in²



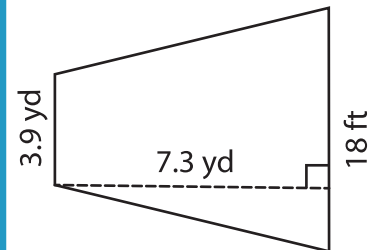
Area = _____ ft²

Gain complete access to the largest collection of worksheets in all subjects!

Members, please log in to download this worksheet.

Not a member? Please sign up to gain complete access.

www.mathworksheets4kids.com



Area = _____ yd²

7) The perpendicular distance between the parallel bases is 576 inches. Find the area of the trapezoid.

Find the area of the trapezoid in square yards. If the sum of the lengths of the parallel bases is 100 yards, find the area of the trapezoid.

8) The height of a trapezoid is 10.4 feet. If the lengths of the bases are 8.2 feet and 3.1 yards, find the area of the trapezoid in square feet.