

Name : _____

Centroid of a Triangle

Sheet 1

A) Find the centroid of each triangle with the given vertices.

1) $A(7, -10)$, $B(-3, 4)$ and $C(8, -9)$

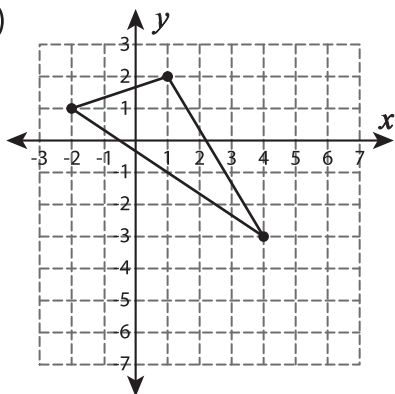
2) $T(-2, 4)$, $U(-5, -12)$ and $V(-11, 0)$

3) $Q(-8, 7)$, $R(2, -1)$ and $S(-9, 15)$

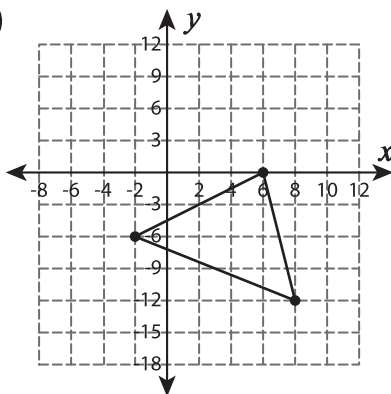
4) $D(5, 13)$, $E(0, 9)$ and $F(4, 5)$

B) Find the centroid of each triangle.

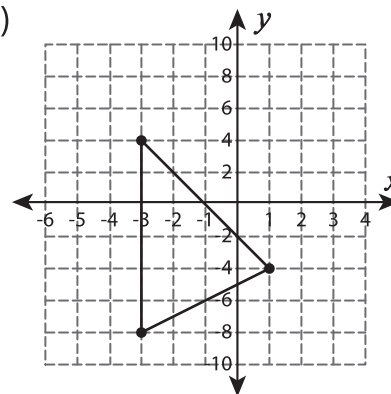
5)



6)



7)



C) The vertices of $\triangle KLM$ are $K(2, -3)$, $L(-1, -9)$ and $M(0, -6)$. Find the centroid of $\triangle KLM$.
