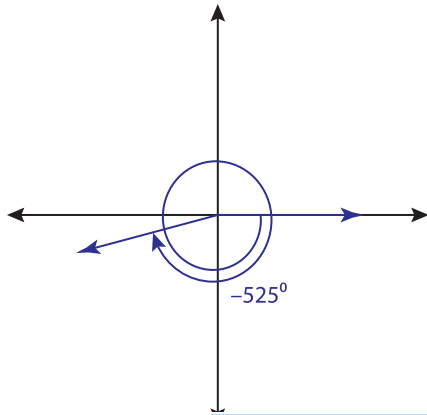


Name : _____

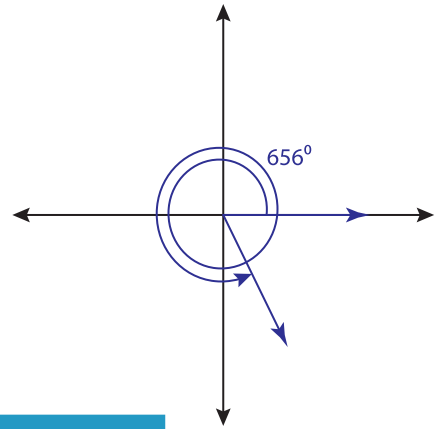
Coterminal Angles - Degrees

Find the coterminal angle between 0° and 360° for each angle.

1)



2)



3)

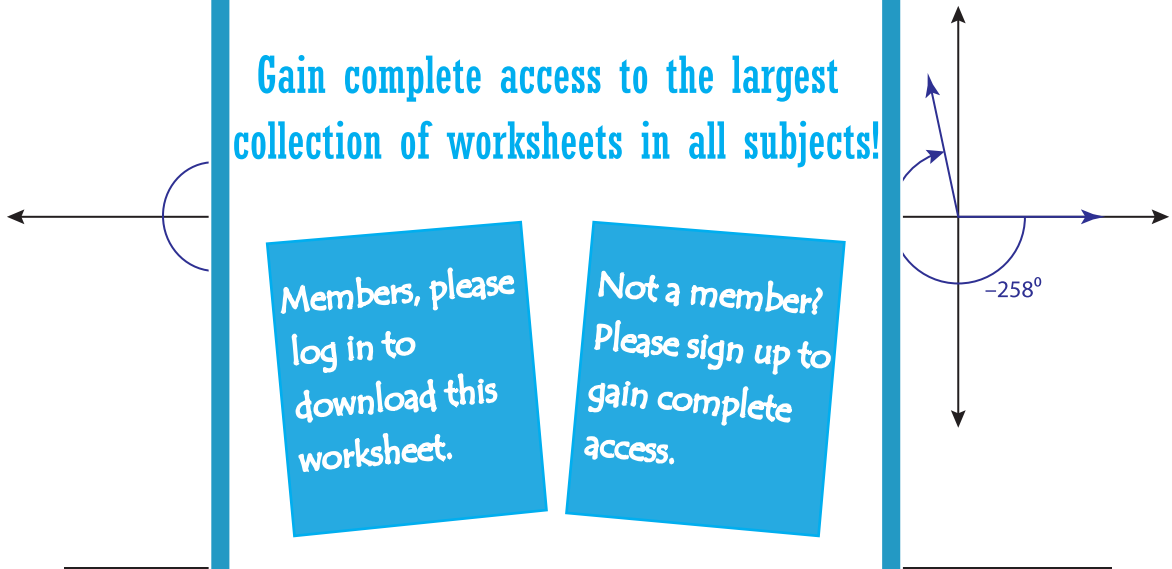
PREVIEW

Gain complete access to the largest collection of worksheets in all subjects!

Members, please log in to download this worksheet.

Not a member? Please sign up to gain complete access.

www.mathworksheets4kids.com



5) -50°

6) -920°

7) 369°
