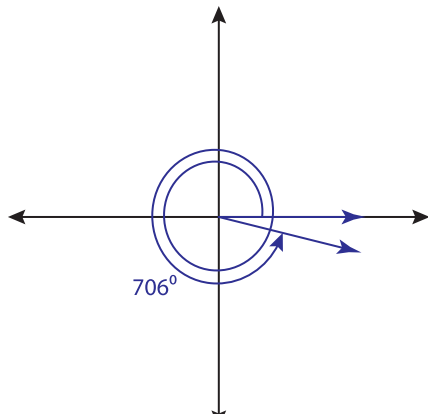


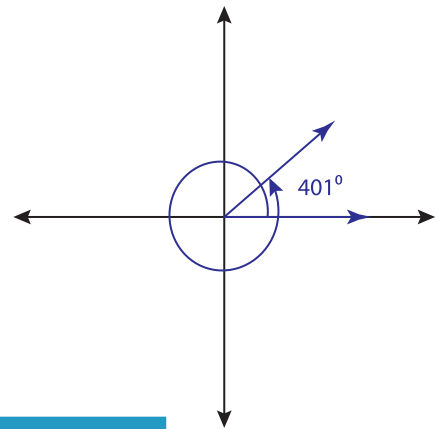
Coterminal Angles - Degrees

Find the coterminal angle between 0° and 360° for each angle.

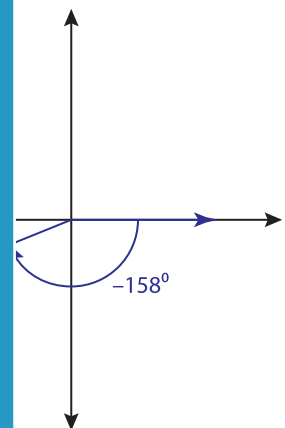
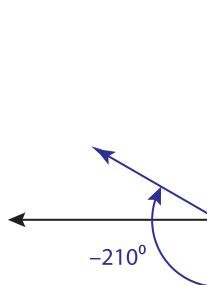
1)



2)



3)



PREVIEW

Gain complete access to the largest collection of worksheets in all subjects!

Members, please log in to download this worksheet.

Not a member? Please sign up to gain complete access.

www.mathworksheets4kids.com

5) 837°

6) -480°

7) 914°
