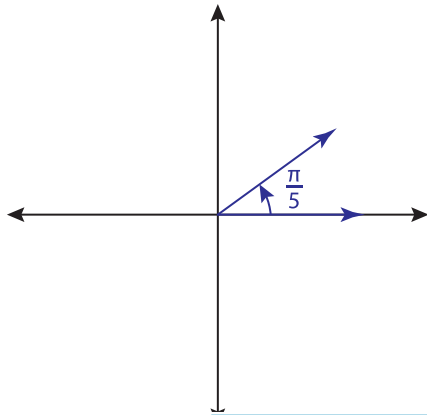


Name : _____

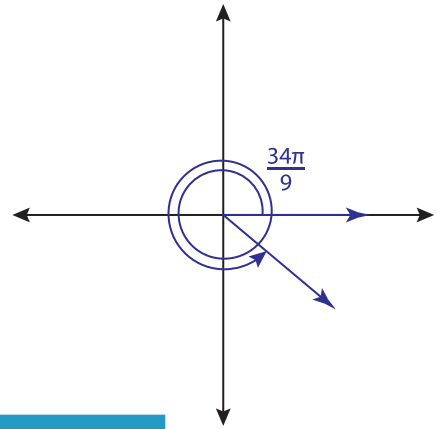
Reference Angles - Radians

Find the reference angle.

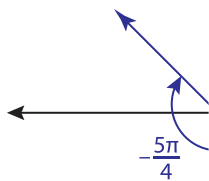
1)



2)



3)



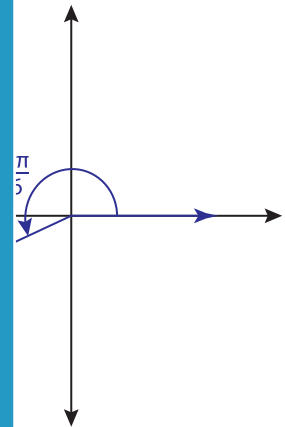
PREVIEW

Gain complete access to the largest collection of worksheets in all subjects!

Members, please log in to download this worksheet.

Not a member? Please sign up to gain complete access.

www.mathworksheets4kids.com



5)

$-\frac{25\pi}{18}$

6)

$\frac{22\pi}{15}$

7)

$\frac{41\pi}{20}$