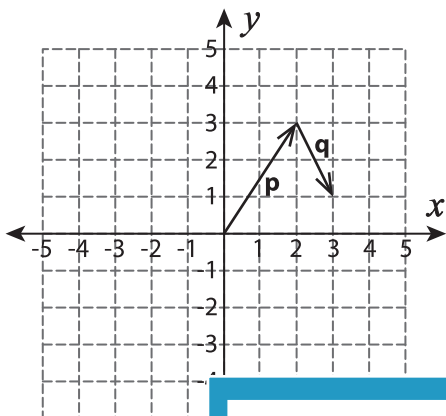


Resultant of Vectors

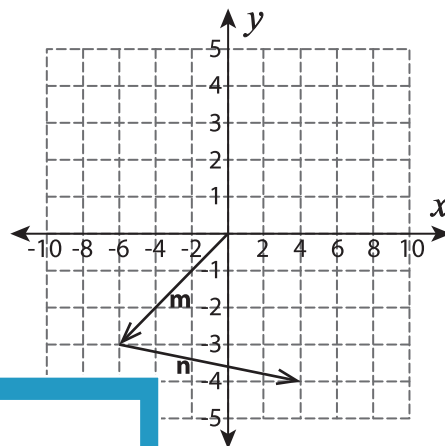
A) Find the resultant of two vectors shown in each graph.

1)

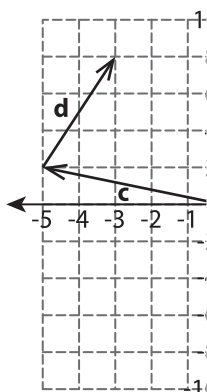


$\vec{p} - \vec{q} =$ _____

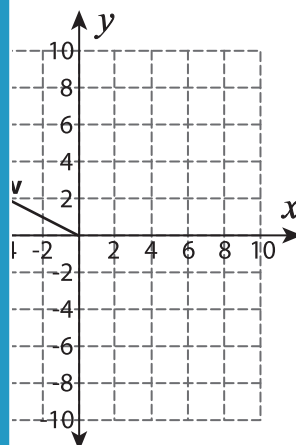
2)



3)



$\vec{c} + \vec{d} =$ _____



PREVIEW

Gain complete access to the largest collection of worksheets in all subjects!

Members, please log in to download this worksheet.

Not a member? Please sign up to gain complete access.

www.mathworksheets4kids.com

B) Which of the foll

