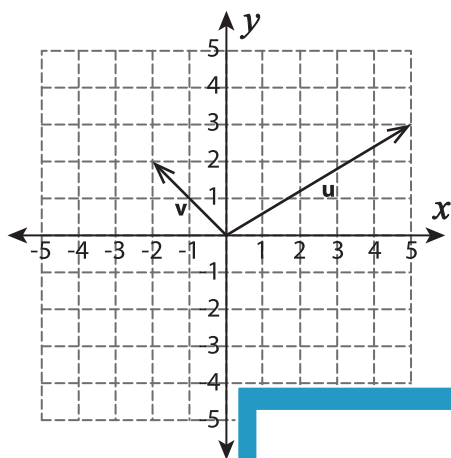


Resultant of Vectors

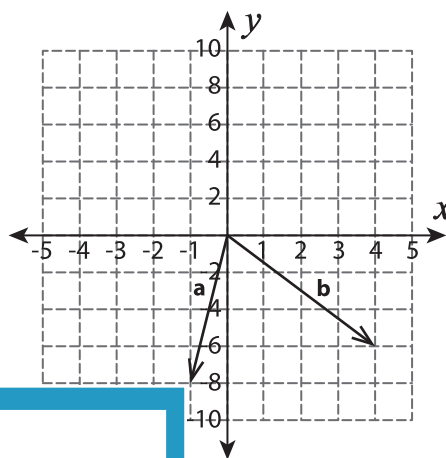
A) Find the resultant of two vectors shown in each graph.

1)



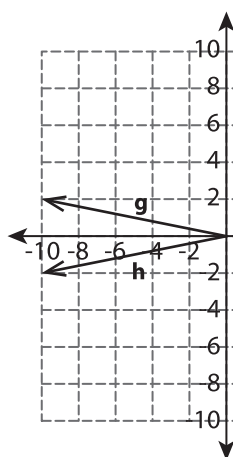
$\vec{u} + \vec{v} =$ _____

2)

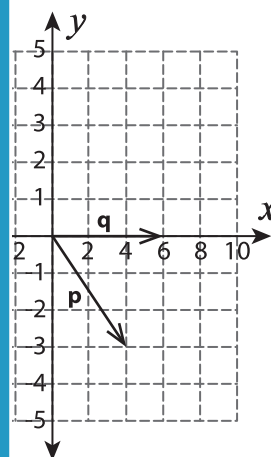


$\vec{a} + \vec{b} =$ _____

3)



$\vec{g} - \vec{h} =$ _____



$\vec{q} + \vec{p} =$ _____

PREVIEW

Gain complete access to the largest collection of worksheets in all subjects!

Members, please log in to download this worksheet.

Not a member? Please sign up to gain complete access.

www.mathworksheets4kids.com

B) Which of the fol

