

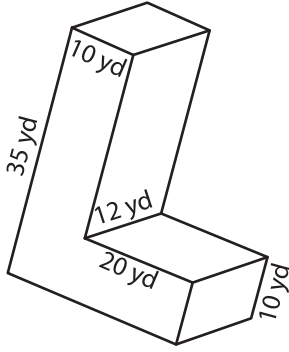
Name : _____

Volume - Rectangular Prism

MS1

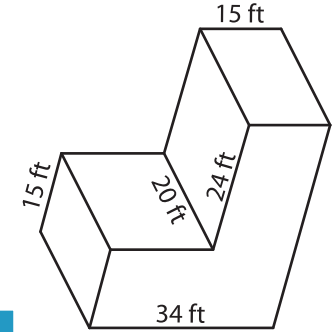
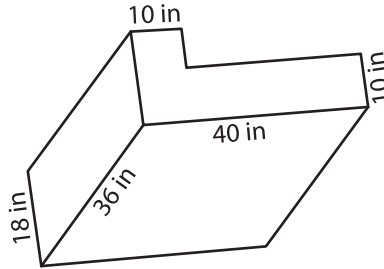
Find the volume of each L - block.

1)



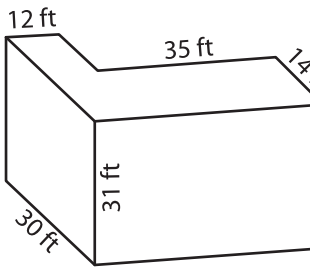
Volume = _____

2)

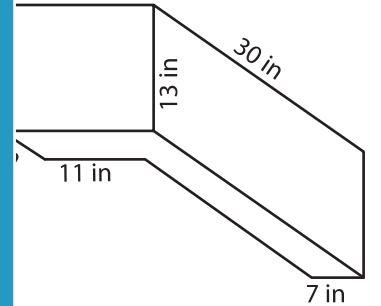


Volume = _____

4)

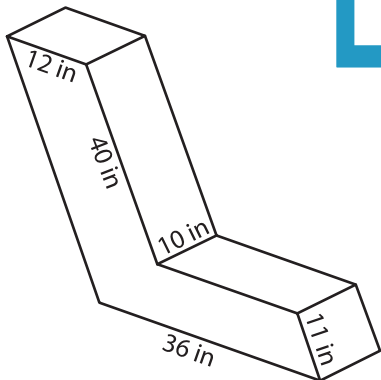


Volume = _____

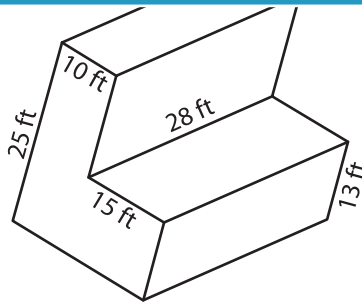


Volume = _____

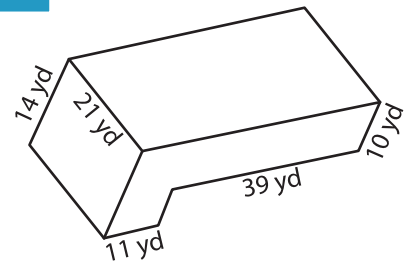
7)



Volume = _____



Volume = _____



Volume = _____

PREVIEW

Gain complete access to the largest collection of worksheets in all subjects!

Members, please log in to download this worksheet.

Not a member? Please sign up to gain complete access.

www.mathworksheets4kids.com