

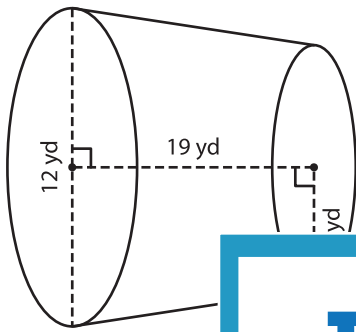
Name : \_\_\_\_\_

## Volume - Cone

ES3

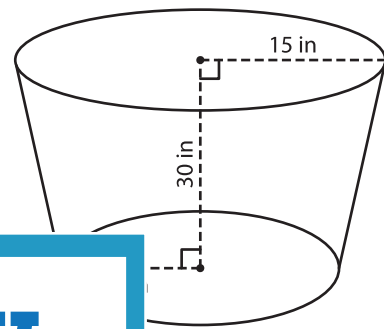
Find the volume of each conical frustum. Round your answer to two decimal places. (use  $\pi = 3.14$ )

1)



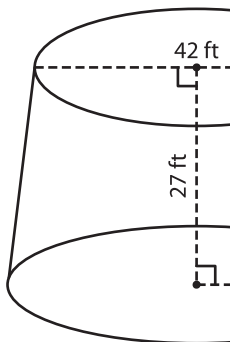
Volume = \_\_\_\_\_

2)



\_\_\_\_\_

3)



Volume = \_\_\_\_\_

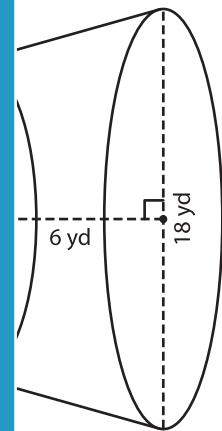
**PREVIEW**

Gain complete access to the largest collection of worksheets in all subjects!

Members, please log in to download this worksheet.

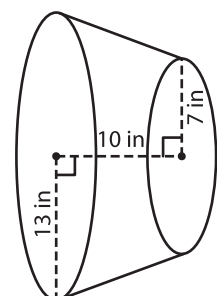
Not a member? Please sign up to gain complete access.

[www.mathworksheets4kids.com](http://www.mathworksheets4kids.com)



\_\_\_\_\_

5) The height of the frustum of a cone is 10 inches. If the radii at the ends of the frustum are 7 inches and 13 inches, find its volume. Round your answer to two decimal places. (use  $\pi = 3.14$ )



\_\_\_\_\_