

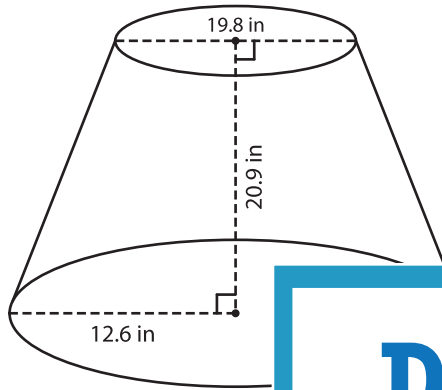
Name : _____

Volume - Cone

MS1

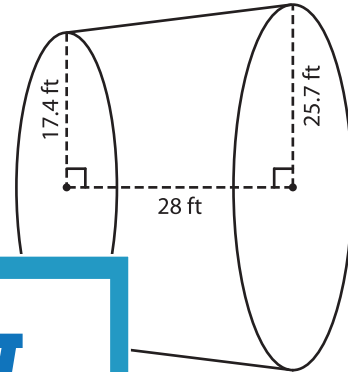
Find the volume of each conical frustum. Round your answer to two decimal places. (use $\pi = 3.14$)

1)



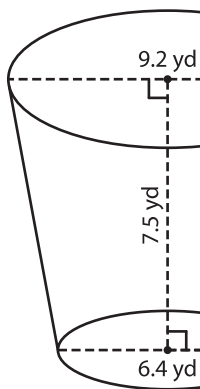
Volume = _____

2)



Volume = _____

3)



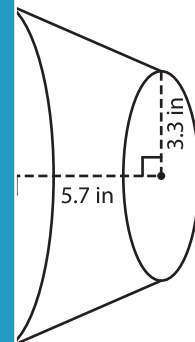
Volume = _____

PREVIEW
Gain complete access to the largest collection of worksheets in all subjects!

Members, please log in to download this worksheet.

Not a member? Please sign up to gain complete access.

www.mathworksheets4kids.com



Volume = _____

- 5) The height of the frustum of a cone is 10.9 feet. If the radii at the ends of the frustum are 8.1 feet and 4 feet, find its volume. Round your answer to two decimal places. (use $\pi = 3.14$)

