

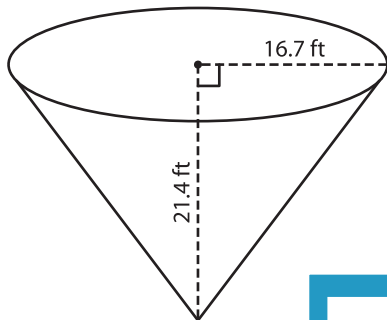
Name : _____

Decimals: ES2

Volume - Cone

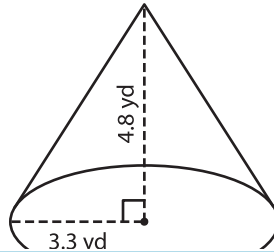
A) Find the volume of each cone. Round your answer to two decimal places.
(use $\pi = 3.14$)

1)



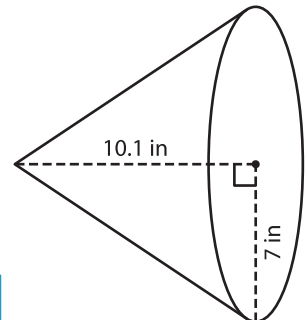
Volume = _____

2)



Volume = _____

3)



Volume = _____

B) Find the volume of each cone. Round your answer to two decimal places.

4) height = 11.2 ft ; radius = 5.5 ft

Volume = _____

6) radius = 9.4 in ; height = 12.5 in

Volume = _____

5) height = 8.5 yd ; radius = 4.2 yd

Volume = _____

Volume = _____

PREVIEW

Gain complete access to the largest collection of worksheets in all subjects!

Members, please log in to download this worksheet.

Not a member? Please sign up to gain complete access.

www.mathworksheets4kids.com

8) There are a number of cone-shaped ice spikes in a winter cave. One of the spikes has a height of 7.75 inches and radius of 1.5 inches. Find the volume of the spike. Round your answer to two decimal places. (use $\pi = 3.14$)

