

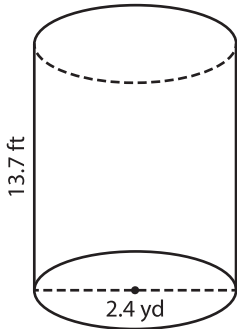
Name : _____

Decimals: DS3

Volume - Cylinder

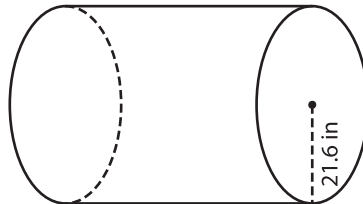
A) Find the volume of each cylinder. Round your answer to two decimal places.
(use $\pi = 3.14$)

1)



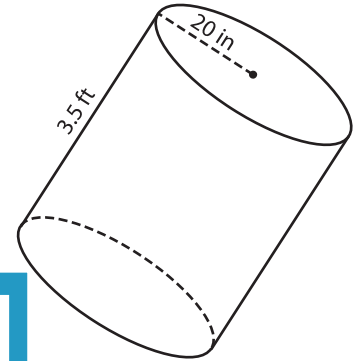
Volume = _____

2)



Volume = _____

3)



Volume = _____ in³

B) Find the volume of each cylinder. Round your answer to two decimal places.

4) height = 10.9 ft ; diameter = 12.8 ft

Volume = _____

6) diameter = 29.2 in ; height = 15.6 in

Volume = _____ in³

PREVIEW
Gain complete access to the largest collection of worksheets in all subjects!

Members, please log in to download this worksheet.

Not a member? Please sign up to gain complete access.

www.mathworksheets4kids.com

Volume = _____ ft³

8) A cylindrical pillar measures 4.1 yards in height and 2.5 feet in radius. Determine how much mortar is required to construct the pillar. Round your answer to two decimal places.
(use $\pi=3.14$)

_____ cubic yards