

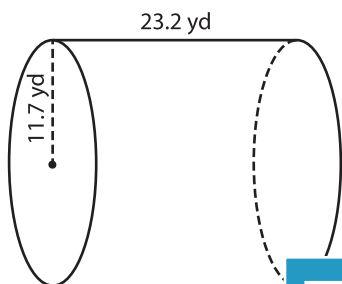
Name : \_\_\_\_\_

## Volume - Cylinder

Decimals: ES5

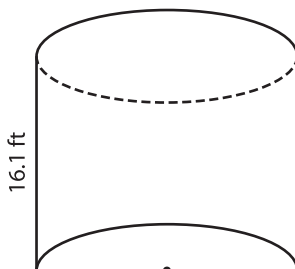
A) Find the volume of each cylinder. Round your answer to two decimal places. (use  $\pi = 3.14$ )

1)



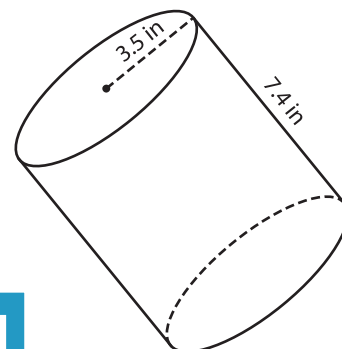
Volume = \_\_\_\_\_

2)



Volume = \_\_\_\_\_

3)



Volume = \_\_\_\_\_

B) Find the volume of each cylinder. Round your answer to two decimal places.

4) height = 10.3 ft ; radius = 13.7 yd

Volume = \_\_\_\_\_

6) radius = 4 in ; height = 18.1 ft

Volume = \_\_\_\_\_

8) How much cream can a cylindrical container with height 2.8 inches and radius 1.5 inches hold? Round your answer to two decimal places. (use  $\pi = 3.14$ )

\_\_\_\_\_

**PREVIEW**

Gain complete access to the largest collection of worksheets in all subjects!

Members, please log in to download this worksheet.

Not a member? Please sign up to gain complete access.

[www.mathworksheets4kids.com](http://www.mathworksheets4kids.com)