

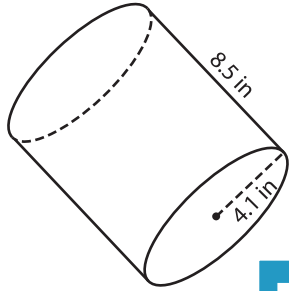
Name : _____

Decimals: ES6

Volume - Cylinder

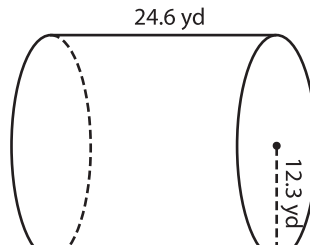
A) Find the volume of each cylinder. Round your answer to two decimal places. (use $\pi = 3.14$)

1)



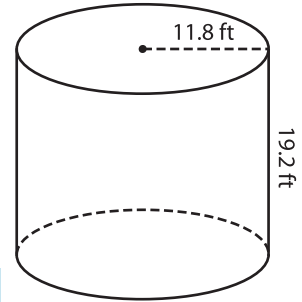
Volume = _____

2)



Volume = _____

3)



Volume = _____

B) Find the volume of each cylinder. Round your answer to two decimal places.

4) radius = 17.3 yd ; height = 12.5 yd

Volume = _____

6) height = 18.6 ft ; radius = 9.1 ft

Volume = _____

PREVIEW
Gain complete access to the largest collection of worksheets in all subjects!

Members, please log in to download this worksheet.

Not a member? Please sign up to gain complete access.

www.mathworksheets4kids.com

5) radius = 12.5 ft ; height = 9.1 in

Volume = _____

7) radius = 15.2 yd ; height = 12.5 yd

Volume = _____

8) As part of a state-wide waste management drive, cylindrical bins of height 25.4 inches and radius 7.7 inches are installed around the campus. What is the volume of a bin? Round your answer to two decimal places. (use $\pi = 3.14$)
