

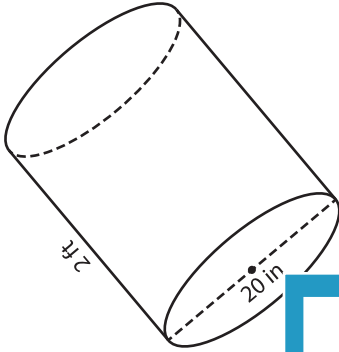
Name : _____

Integers: DS2

Volume - Cylinder

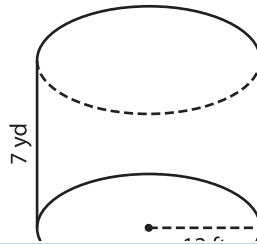
A) Find the volume of each cylinder. Round your answer to two decimal places. (use $\pi = 3.14$)

1)



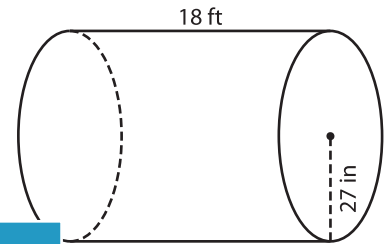
Volume = _____

2)



Volume = _____

3)



Volume = _____ ft^3

B) Find the volume of each cylinder. Round your answer to two decimal places.

4) height = 1 yd ; radius = 10 yd

Volume = _____

6) diameter = 16 ft ; height = 25 in

Volume = _____ in^3

diameter = 6 yd

Volume = _____ ft^3

Volume = _____ yd^3

8) A cylindrical fish tank is 8 feet tall. The diameter is 48 inches. How much water can the tank hold? Round your answer to two decimal places. (use $\pi = 3.14$)

_____ cubic feet

PREVIEW

Gain complete access to the largest collection of worksheets in all subjects!

Members, please log in to download this worksheet.

Not a member? Please sign up to gain complete access.

www.mathworksheets4kids.com