

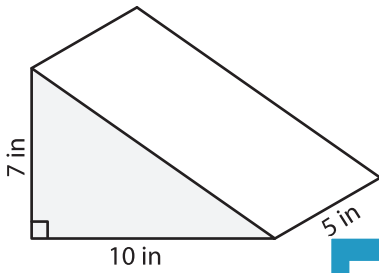
Name: _____

Volume - Prism

Mixed Review: L2S1

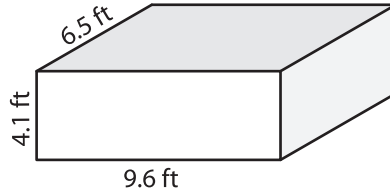
A) Find the volume of each prism.

1)

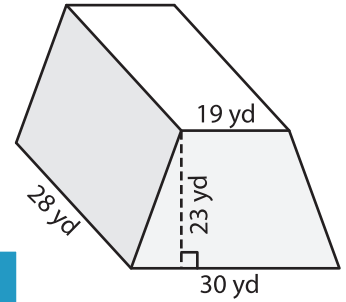


Volume = _____

2)



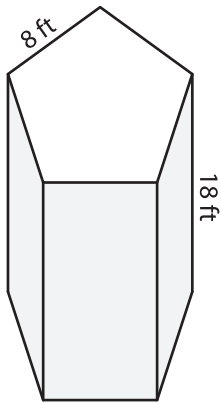
3)



Volume = _____

B) Find the volume of each prism.

4)



Volume = _____

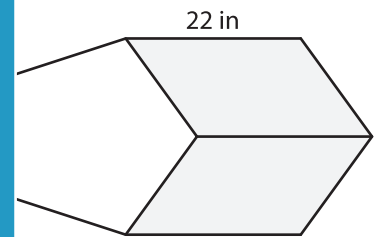
Gain complete access to the largest collection of worksheets in all subjects!

Members, please log in to download this worksheet.

Not a member? Please sign up to gain complete access.

www.mathworksheets4kids.com

Round your answer to two decimal places.



Volume = _____

7) Determine the volume of the regular hexagonal prism with a base side length of 6 feet and a height of 14.7 feet. Round your answer to two decimal places.
