

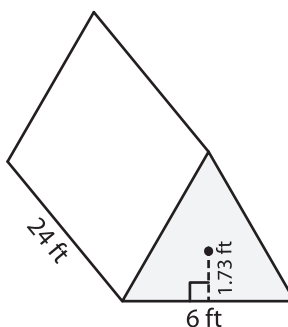
Name: _____

Volume - Prism

L1S2

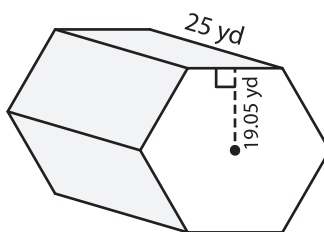
Find the volume of each regular prism.

1)

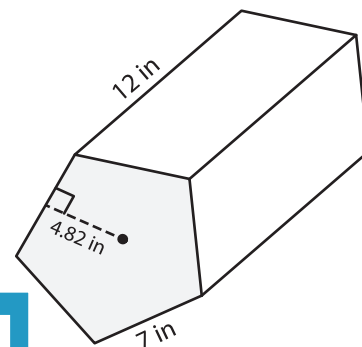


Volume = _____

2)

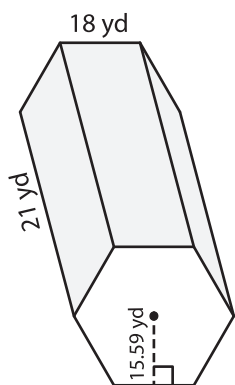


3)



Volume = _____

4)



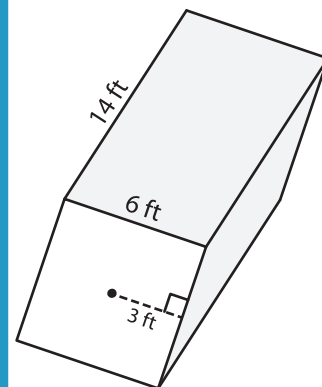
Volume = _____

Gain complete access to the largest collection of worksheets in all subjects!

Members, please log in to download this worksheet.

Not a member? Please sign up to gain complete access.

www.mathworksheets4kids.com



Volume = _____

7) A square prism has a length of 12 feet and the base square are 4 feet and 2 feet respectively. Determine the volume.

the base square are 4 feet and 2 feet respectively. Determine the volume.

8) A regular prism with a pentagonal base has a length of 19 yards. The side length and the apothem of the base pentagon are 20 yards and 13.76 yards respectively. Find the volume of the prism.
