

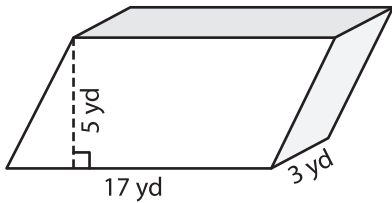
Name: \_\_\_\_\_

## Volume - Prism

ES1

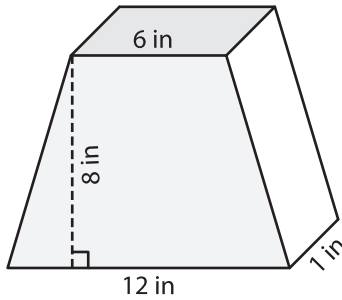
Find the volume of each shape.

1)



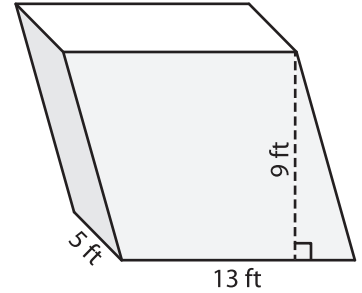
Volume = \_\_\_\_\_

2)



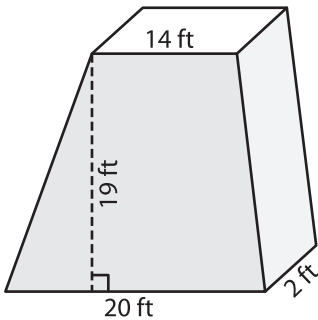
Volume = \_\_\_\_\_

3)



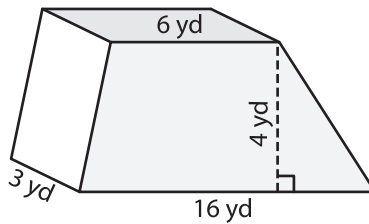
Volume = \_\_\_\_\_

4)



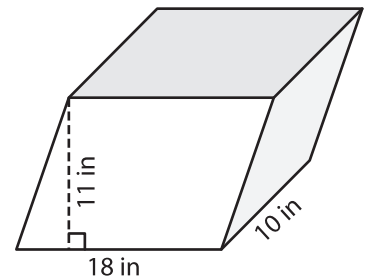
Volume = \_\_\_\_\_

5)



Volume = \_\_\_\_\_

6)



Volume = \_\_\_\_\_

7) The base of a prism is a parallelogram whose base and height are 19 inches and 7 inches respectively. Find the volume of the prism if its length is 10 inches.

\_\_\_\_\_

8) The base of a prism is a trapezoid whose height is 12 yards. The parallel bases of the trapezoid measure 15 yards and 8 yards. If the length of the prism is 5 yards, find its volume.

\_\_\_\_\_